



VL Series Breakdown

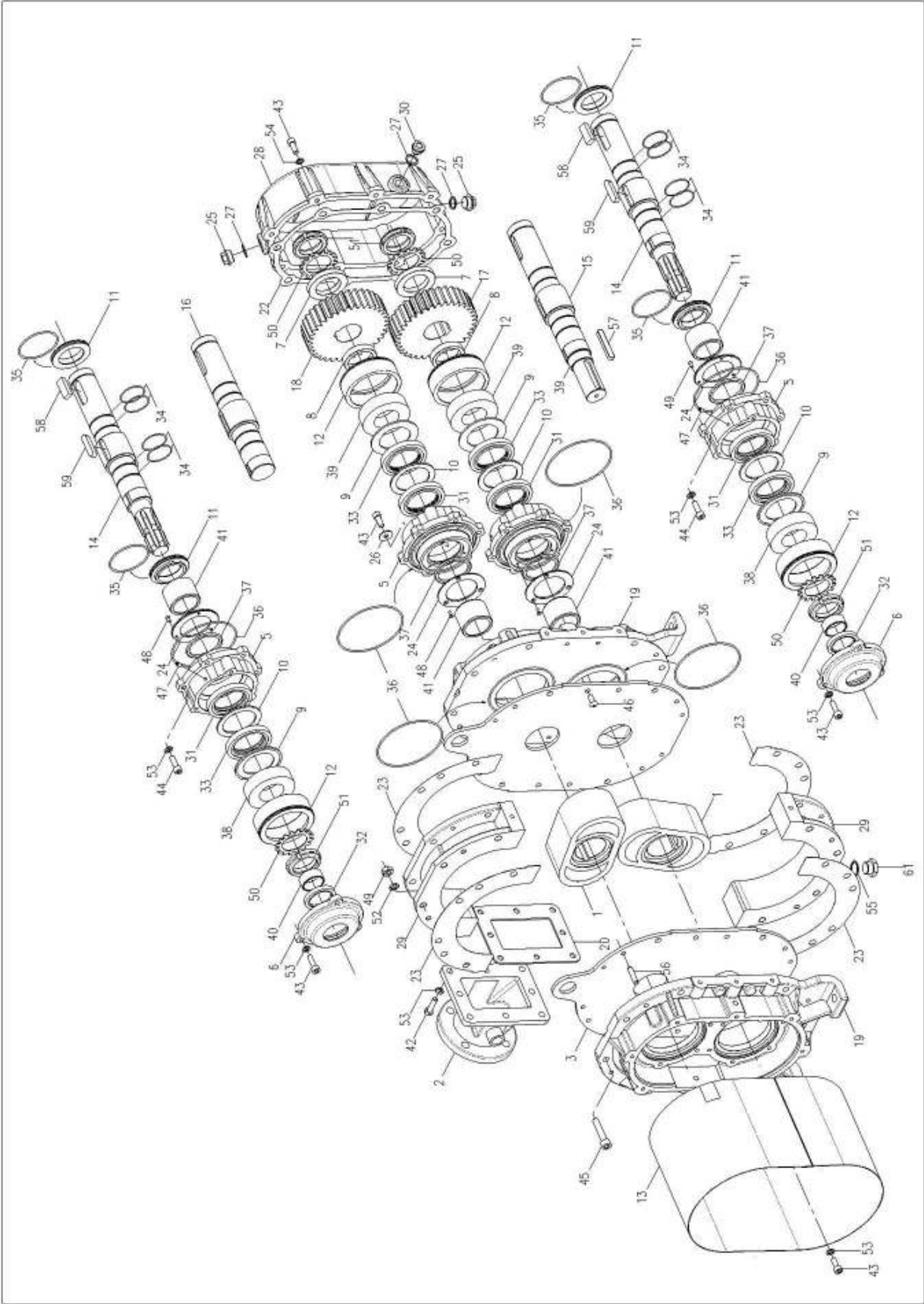


INDEX

- 1 THE VL 7 ATEX SPARE PART CATALOGUE**
- 2 THE VL 14 ATEX SPARE PART CATALOGUE**
- 3 THE VL 20 ATEX SPARE PART CATALOGUE**
- 4 THE VL 27 ATEX SPARE PART CATALOGUE**
- 5 THE VL 40 ATEX SPARE PART CATALOGUE**
- 6 REQUEST FOR SPARE PARTS**

1- THE VL 7 ATEX SPARE PART CATALOGUE

SPARE PARTS VL 7



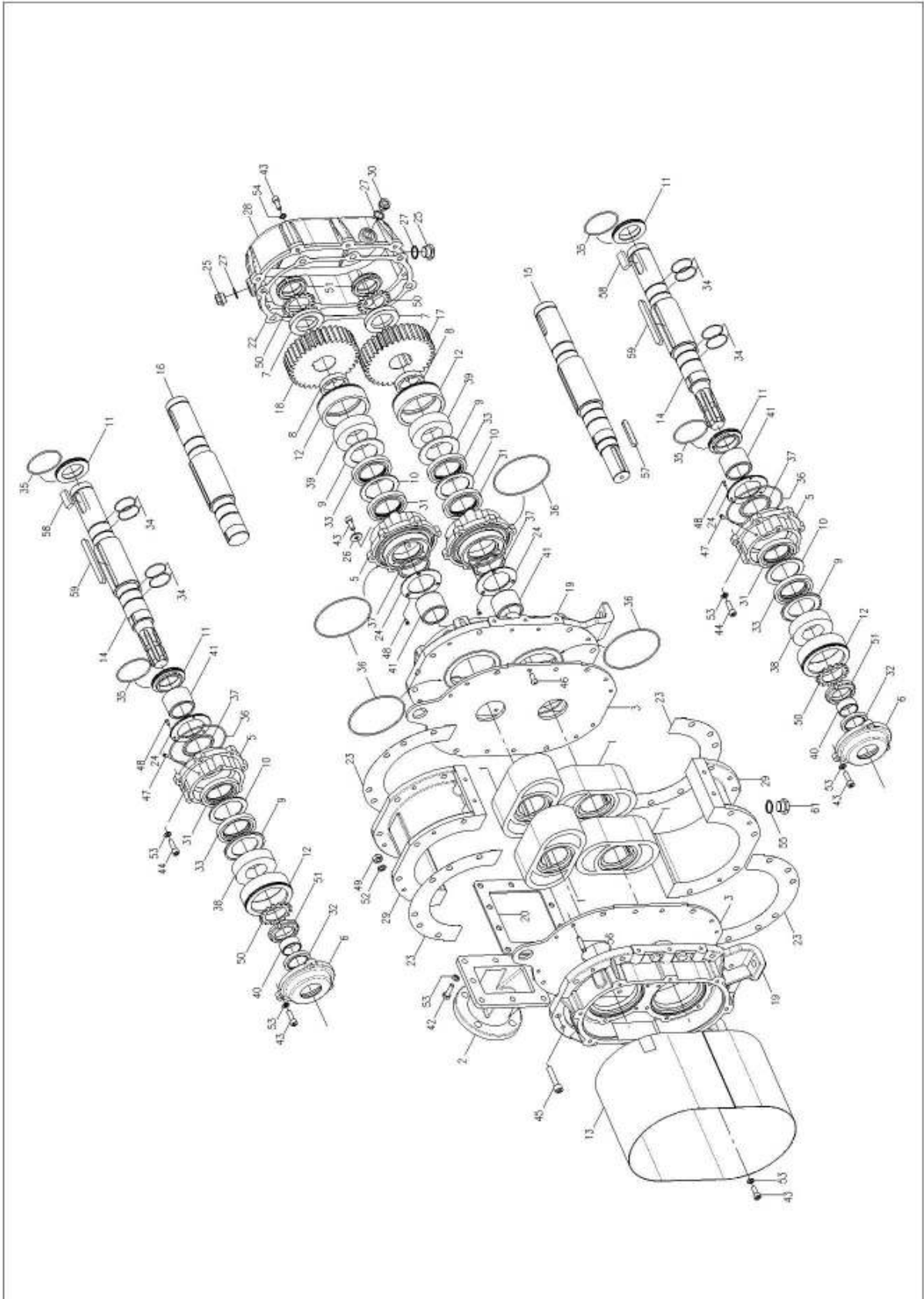
1- THE VL7 ATEX SPARE PART CATALOGUE

Pos.	Code	Denomination	Q.ty
1	1503601800	END PISTON VL7 NBR (*)	2
2	1526002000	CONNECTION VL7	2
3	1610009300	WEAPROOF PLATE	2
4	1610011400	IN/OUTLET FLANGE	2
5	1610506800	BEARING FLANGE	4
6	1610507000	FRONT FLANGE VL10	2
7	1624009900	GEAR PLACER	2
8	1624012700	SPACER VL 10 BAR	2
9	16240XQ1A0	VL BEARING-SEAL PLACER	4
10	1624012900	VL SEAL PLACER	4
11	1626000700	BUSHING VL 10 BAR	4
12	1626000800	BEARING BUSH	4
13	1642005700	PROTECTION	1
14	1650008200	AXLE VL7 D.55	2
15	1650008300	ELECTRIC MOTOR AXLE	1
16	1650008400	BLIND AXLE	1
17	1651002500	UPPER GEAR VL	1
18	1651003400	LOWER GEAR VL	1
19	1662500100	END PLATE VL	2
20	1680606200	VL 14 INLET GASKETS	2
21	1680606300	MANIFOLD FLANGE GASKET	2
22	1680703500	OIL TANK GASKET	1
23	1680705000	HOUSING GASKET	4
24	1681005800	WEAR PLATE SEAL GASKET	4
25	1684000000	VENT 3/8	2
26	1685005100	WASHER VL7-VL40	6
27	1685100200	ALUMINIUM WASHER	3
28	1687100600	OIL TANK VL	1
29	1687503700	PUMP HOUSING VL7	2
30	4022104501	3/8 GAS LEVEL PILOT LIGHT SEAL RING DOMSEL AB	1
31	4022200106	(*)	4
32	4022200027	SEAL RING 55X40X8 SEAL RING DOMSEL AC	2
33	4022200150	(*)	4
34	4022200212	OR 2162	8
35	4022200242	OR 3256	4
36	4022200286	OR 3450 VL10	8
37	4022203206	RING TEFLON 55X66X4,2	4
38	4023105010	GEAR 22209 E/C3	2
39	4023110049	GEAR NU 2209 ECP	2
40	4023130009	BUSHING 35X40X17 IR	2
41	4023130036	BUSHING 55X45X40 INA V	4
42	4026102807	SCREW TE 8,8 M8X25	16
43	4026120403	SCREW TCEI 8,8 M8X20	17
44	4026120405	SCREW TCEI 8,8 M8X25	30
45	4026120510	SCREW TCEI 8,8 M10X50	16
46	4026121504	SCREW TBEI 10,9 M8X18	8
47	4026136205	SET SCREW 12,9	4
48	4026155302	SCREW INOX 304 TSPEI M4X10	12
49	4026300806	NUT M10	16
50	4026306309	SAFETY RING	4
51	4026306509	SELFLOCKING RING M45X1,5	4
52	4026350608	SPRING WASHER Ø10,5 SEZ	16
53	4026350706	SPRING WASHER Ø8,4 ZINC	49
54	4026350909	LOCK WASHER M8	8
55	4026359003	WASHER 21,5X26X1,5	1
56	4026410013	ELASTIC PIN SIROL 8X36	8
57	4026500911	KEY FOR ELECTRIC MOTOR	1
58	4026501500	KEY 14X9X36	2
59	4026503500	KEY 10X9X45 6604	4
60	4026713004	MANIFOLD FLANGE VL7 DN50	2
61	4026904001	DRAIN PLUG 1/2GAS	1

(*)Specify the material

2- THE VL 14 ATEX SPARE PART CATALOGUE

SPARE PARTS VL14



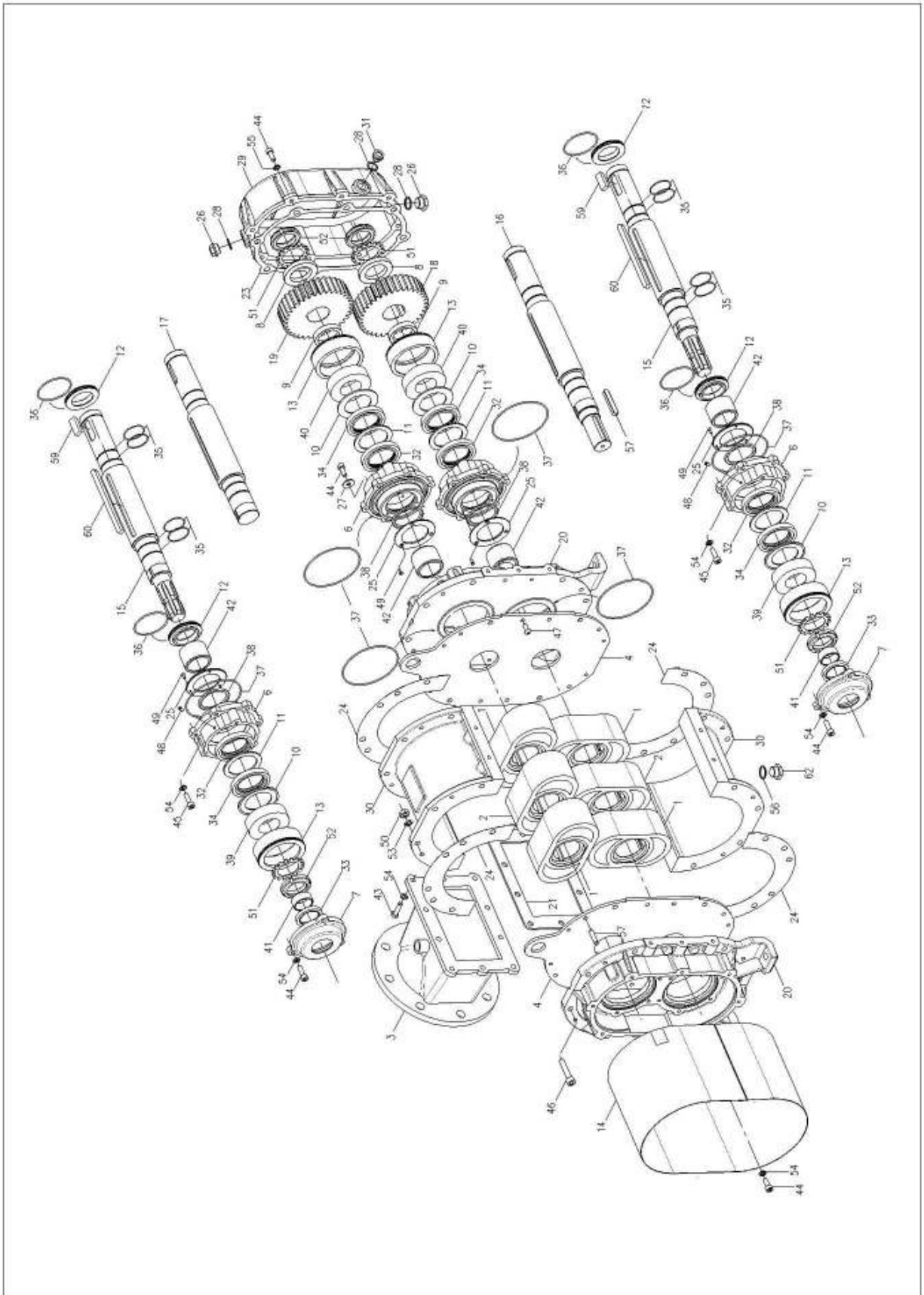
2- THE VL 14 ATEX SPARE PART CATALOGUE

Pos.	Code	Denomination	Q.ty
1	1503601400	END PISTON VL14 NBR (*)	4
2	1526001500	CONNECTION VL14	2
3	1610009300	WEAPROOF PLATE	2
4	1610011300	IN/OUTLET FLANGE	2
5	1610506800	BEARING FLANGE	4
6	1610507000	FRONT FLANGE VL10	2
7	1624009900	GEAR PLACER	2
8	1624012700	SPACER VL 10 BAR	2
9	16240XQ1A0	VL BEARING-SEAL PLACER	4
10	1624012900	VL SEAL PLACER	4
11	1626000700	BUSHING VL 10 BAR	4
12	1626000800	BEARING BUSH	4
13	1642005700	PROTECTION	1
14	1650007400	AXLE VL14 D.55	2
15	1650007500	ELECTRIC MOTOR AXLE	1
16	1650007600	BLIND AXLE	1
17	1651002500	UPPER GEAR VL	1
18	1651003400	LOWER GEAR VL	1
19	1662500100	END PLATE VL	2
20	1680604700	VL 14 INLET GASKETS	2
21	1680605500	MANIFOLD FLANGE GASKET	2
22	1680703500	OIL TANK GASKET	1
23	1680705000	HOUSING GASKET	4
24	1681005800	WEAR PLATE SEAL GASKET	4
25	1684000000	VENT 3/8	2
26	1685005100	WASHER VL7-VL40	6
27	1685100200	ALUMINIUM WASHER	3
28	1687100600	OIL TANK VL	1
29	1687503200	PUMP HOUSING VL14	2
30	4022104501	3/8 GAS LEVEL PILOT LIGHT	1
31	4022200106	SEAL RING DOMSEL AB (*)	4
32	4022200027	SEAL RING BASL 55X40X8	2
33	4022200150	SEAL RING DOMSEL AC (*)	4
34	4022200212	OR 2162	8
35	4022200242	OR 3256	4
36	4022200286	OR 3450 VL10	8
37	4022203206	RING TEFLON 55X66X4,2	4
38	4023105010	GEAR 22209 E/C3	2
39	4023110049	GEAR NU 2209 ECP	2
40	4023130009	BUSHING 35X40X17 IR	2
41	4023130036	BUSHING 55X45X40 INA V	4
42	4026102807	SCREW TE 8,8 M8X25	20
43	4026120403	SCREW TCEI 8,8 M8X20	17
44	4026120405	SCREW TCEI 8,8 M8X25	30
45	4026120510	SCREW TCEI 8,8 M10X50	16
46	4026121504	SCREW TBEI 10,9 M8X18	8
47	4026136205	SET SCREW 12,9	4
48	4026155302	SCREW INOX 304 TSPEI M4X10	12
49	4026300806	NUT M10	16
50	4026306309	SAFETY RING	4
51	4026306509	SELFLOCKING RING M45X1,5	4
52	4026350608	SPRING WASHER Ø10,5 SEZ	16
53	4026350706	SPRING WASHER Ø8,4 ZINC	53
54	4026350909	LOCK WASHER M8	8
55	4026359003	WASHER 21,5X26X1,5	1
56	4026410013	ELASTIC PIN SIROL 8X36	8
57	4026500911	KEY FOR ELECTRIC MOTOR	1
58	4026501500	KEY 14X9X36	2
59	4026503505	KEY 10X9X110 6604	4
60	4026713007	MANIFOLD FLANGE VL14 DN100	2
61	4026904001	DRAIN PLUG 1/2GAS	1

(*)Specify the material

3- THE VL 20 ATEX SPARE PART CATALOGUE

SPARE PARTS VL 20



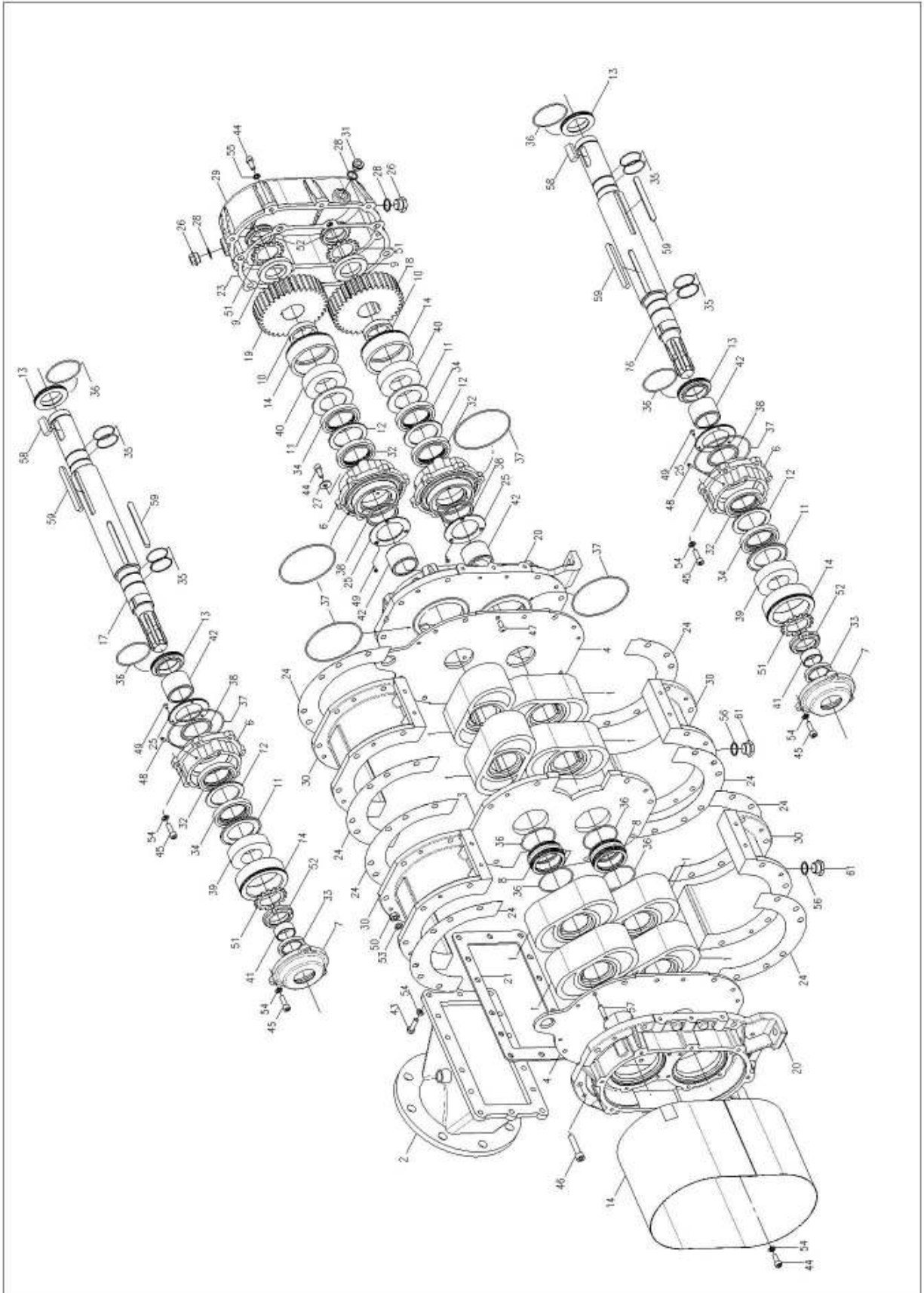
3- THE VL 20 ATEX SPARE PART CATALOGUE

Pos.	Code	Denomination	Q.ty
1	1503601400	END PISTON VL20 NBR (*)	4
2	1503601500	CENTRAL PISTON VL	2
3	1526001600	CONNECTION VL20	2
4	1610009300	WEAPROOF PLATE	2
5	1610011100	IN/OUTLET FLANGE	2
6	1610506800	BEARING FLANGE	4
7	1610507000	FRONT FLANGE VL10	2
8	1624009900	GEAR PLACER	2
9	1624012700	SPACER VL 10 BAR	2
10	16240XQ1A0	VL BEARING-SEAL PLACER	4
11	1624012900	VL SEAL PLACER	4
12	1626000700	BUSHING VL 10 BAR	4
13	1626000800	BEARING BUSH	4
14	1642005700	PROTECTION	1
15	1650007700	AXLE VL20 D.55	2
16	1650007800	ELECTRIC MOTOR AXLE	1
17	1650007900	BLIND AXLE	1
18	1651002500	TREATED GEAR VL	1
19	1651003400	GEAR VL	1
20	1662500100	END PLATE VL	2
21	1680605600	VL 20 INLET GASKETS	2
22	1680606100	MANIFOLD FLANGE GASKET	2
23	1680703500	OIL TANK GASKET	1
24	1680705000	HOUSING GASKET	4
25	1681005800	WEAR PLATE SEAL GASKET	4
26	1684000000	VENT 3/8	2
27	1685005100	WASHER VL7-VL40	6
28	1685100200	ALUMINIUM WASHER	3
29	1687100600	OIL TANK VL	1
30	1687503300	PUMP HOUSING VL20	2
31	4022104501	3/8 GAS LEVEL PILOT LIGHT	1
32	4022200106	SEAL RING DOMSEL AB (*)	4
33	4022200027	SEAL RING BASL 50X40X8	2
33	4022200150	SEAL RING DOMSEL AC (*)	4
34	4022200212	OR 2162	8
35	4022200242	OR 3256	4
36	4022200286	OR 3450 VL10	8
37	4022203206	RING TEFLON 55X66X4,2	4
38	4023105010	GEAR 22209 E/C3	2
39	4023110049	GEAR NU 2209 ECP	2
40	4023130009	BUSHING 35X40X17 IR	2
41	4023130036	BUSHING 55X45X40 INA V	4
42	4026102807	SCREW TE 8,8 M8X25	20
43	4026120403	SCREW TCEI 8,8 M8X20	17
44	4026120405	SCREW TCEI 8,8 M8X25	30
45	4026120510	SCREW TCEI 8,8 M10X50	16
46	4026121504	SCREW TBEI 10,9 M8X18	8
47	4026136205	SET SCREW 12,9	4
48	4026155302	SCREW INOX 304 TSPEI M4X10	12
49	4026300806	NUT M10	16
50	4026306309	SAFETY RING	4
51	4026306509	SELFLOCKING RING M45X1,5	4
52	4026350608	SPRING WASHER Ø10,5 SEZ	16
53	4026350706	SPRING WASHER Ø8,4 ZINC	53
54	4026350909	LOCK WASHER M8	8
55	4026359003	WASHER 21,5X26X1,5	1
56	4026410013	ELASTIC PIN SIROL 8X36	8
57	4026500911	KEY FOR ELECTRIC MOTOR	1
58	4026501500	KEY 14X9X36	2
59	4026503509	KEY 10X9X160 6604	4
60	4026713009	MANIFOLD FLANGE VL20 DN150	2
61	4026904001	DRAIN PLUG 1/2GAS	1

(*) Specify the material

4- THE VL 27 ATEX SPARE PART CATALOGUE

SPARE PARTS VL 27



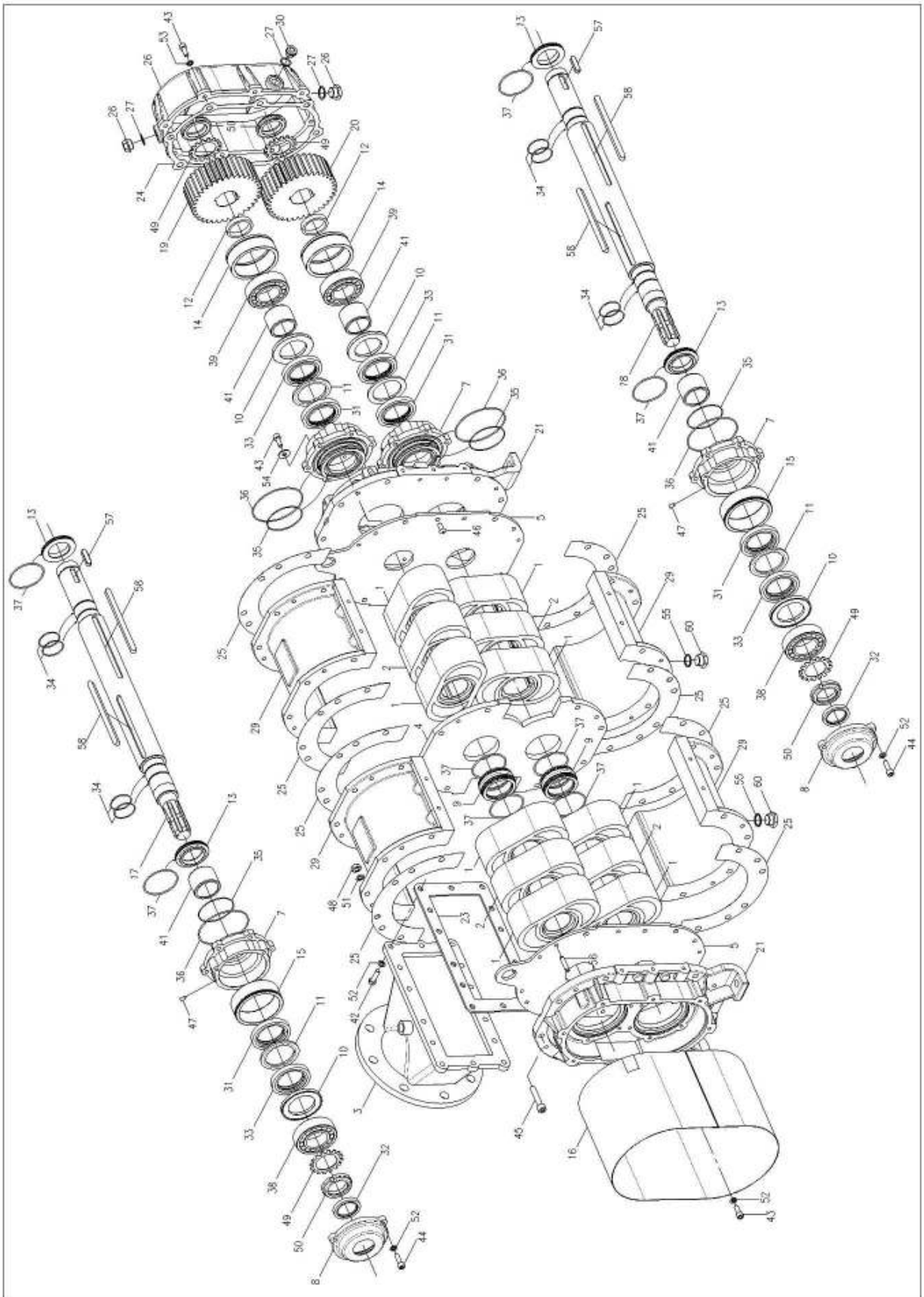
4- THE VL 27 ATEX SPARE PART CATALOGUE

Pos.	Code	Denomination		Q.ty
1	1503601400	END PISTON VL27 NBR	(*)	8
2	1526001700	CONNECTION VL27		2
3	1610009200	CENTRAL WEAPROOF PLATE		1
4	1610009300	WEAPROOF PLATE		2
5	1610011200	IN/OUTLET FLANGE		2
6	1610506800	BEARING FLANGE		4
7	1610507000	FRONT FLANGE VL10		2
8	1624009800	PISTONS SPACER		2
9	1624009900	GEAR PLACER		2
10	1624012700	SPACER VL 10 BAR		2
11	16240XQ1A0	VL BEARING-SEAL PLACER		4
12	1624012900	VL SEAL PLACER		4
13	1626000700	BUSHING VL 10 BAR		4
14	1626000800	BEARING BUSH		4
15	1642005700	PROTECTION		1
16	1650008000	LOWER AXLE VL27 D.55		1
17	1650008100	UPPER AXLE VL27 D.55		1
18	1651002500	TREATED GEAR VL		1
19	1651003400	GEAR VL		1
20	1662500100	END PLATE VL		2
21	1680605700	VL 27 INLET GASKETS		2
22	1680606100	MANIFOLD FLANGE GASKET		2
23	1680703500	OIL TANK GASKET		1
24	1680705000	HOUSING GASKET		8
25	1681005800	WEAR PLATE SEAL GASKET		4
26	1684000000	VENT 3/8		2
27	1685005100	WASHER VL7-VL40		6
28	1685100200	ALUMINIUM WASHER		3
29	1687100600	OIL TANK VL		1
30	1687503200	PUMP HOUSING VL27		4
31	4022104501	3/8 GAS LEVEL PILOT LIGHT		1
32	4022200106	SEAL RING DOMSEL AB	(*)	4
33	4022200027	SEAL RING BASL 55X40X8		2
34	4022200150	SEAL RING DOMSEL AC	(*)	4
35	4022200212	OR 2162		8
36	4022200242	OR 3256		8
37	4022200286	OR 3450 VL10		8
38	4022203206	RING TEFLON 55X66X4,2		4
39	4023105010	GEAR 22209 E/C3		2
40	4023110049	GEAR NU 2209 ECP		2
41	4023130009	BUSHING 35X40X17 IR		2
42	4023130036	BUSHING 55X45X40 INA V		4
43	4026102808	SCREW TE 8,8 M8X30		28
44	4026120403	SCREW TCEI 8,8 M8X20		17
45	4026120405	SCREW TCEI 8,8 M8X25		30
46	4026120510	SCREW TCEI 8,8 M10X50		24
47	4026121504	SCREW TBEI 10,9 M8X18		8
48	4026136205	SET SCREW 12,9		4
49	4026155302	SCREW INOX 304 TSPEI M4X10		12
50	4026300806	NUT M10		24
51	4026306309	SAFETY RING		4
52	4026306509	SELFLOCKING RING M45X1,5		4
53	4026350608	SPRING WASHER Ø10,5 SEZ		24
54	4026350706	SPRING WASHER Ø8,4 ZINC		61
55	4026350909	LOCK WASHER M8		8
56	4026359003	WASHER 21,5X26X1,5		2
57	4026410013	ELASTIC PIN SIROL 8X36		12
58	4026501500	KEY 14X9X36		2
59	4026503505	KEY 10X9X110 6604		8
60	4026713009	MANIFOLD FLANGE VL27 DN150		2
61	4026904001	DRAIN PLUG 1/2GAS		2

(*)Specify the material

5- THE VL 40 ATEX SPARE PART CATALOGUE

SPARE PARTS VL 40



5- THE VL 40 ATEX SPARE PART CATALOGUE

Pos.	Code	Denomination	Q.ty
1	1503601400	END PISTON VL40 NBR (*)	8
2	1503601500	CENTRAL PISTON VL40 (*)	4
3	1526002300	CONNECTION VL40	2
4	1610009200	CENTRAL WEAPROOF PLATE	1
5	1610009300	WEAPROOF PLATE	2
6	1610013100	IN/OUTLET FLANGE	2
7	1610505300	BEARING FLANGE	4
8	1610505400	FRONT FLANGE VL10	2
9	1624009800	PISTONS SPACER	2
10	16240XQ2A0	VL BEARING-SEAL PLACER GEAR PLACER	4
11	1624010100	VL SEAL SPACER	4
12	1624012400	BEARING-SEAL SPACER	2
13	1626000400	BUSHING VL 10 BAR	4
14	1626000500	REAR BEARING BUSH	2
15	1626000600	FRONT BEARING BUSH	2
16	1642000300	PROTECTION	1
17	1650008500	UPPER AXLE VL40 D.55	1
18	1650008600	LOWER AXLE VL40 D.55	1
19	1651001800	GEAR VL	1
20	1651001900	GEAR VL	1
21	1662500100	END PLATE VL	2
22	1680606500	VL 40 INLET GASKETS	2
23	1680606600	MANIFOLD FLANGE GASKET	2
24	1680703500	OIL TANK GASKET	1
25	1680705000	HOUSING GASKET	8
26	1684000000	VENT 3/8	2
27	1685100200	WASHER VL7-VL40	3
28	1687100600	OIL TANK VL	1
29	1687503300	PUMP HOUSING VL40	4
30	4022104501	3/8 GAS LEVEL PILOT LIGHT	1
31	4022200106	SEAL RING DOMSEL AB (*)	4
32	4022200027	SEAL RING BASL 55X40X8	2
33	4022200150	SEAL RING DOMSEL AC (*)	4
34	4022200212	OR 2162	8
35	4022200236	OR 4275	4
36	4022200238	OR 4350	4
37	4022200242	OR 3256	8
38	4023105010	GEAR 22209 E/C3	2
39	4023116048	GEAR NU 2209 ECP	2
40	4023130009	BUSHING 35X40X17 IR	2
41	4023130036	BUSHING 55X45X40 INA V	4
42	4026102808	SCREW TE 8,8 M8X30	28
43	4026120403	SCREW TCEI 8,8 M8X20	17
44	4026120405	SCREW TCEI 8,8 M8X25	30
45	4026120510	SCREW TCEI 8,8 M10X50	24
46	4026121504	SCREW TBEI 10,9 M8X18	8
47	4026136205	SET SCREW M6x12	4
48	4026300806	NUT M10	24
49	4026306309	SAFETY RING	4
50	4026306509	SELFLOCKING RING M45X1,5	4
51	4026350608	SPRING WASHER Ø10,5 SEZ	24
52	4026350706	SPRING WASHER Ø8,4 ZINC	61
53	4026350909	LOCK WASHER M8	8
54	4026356002	WASHER 24X9X2	6
55	4026359003	WASHER 21	2
56	4026410013	ELASTIC PIN SIROL 8X36	12
57	4026500907	KEY 14X9X36	4
58	4026503510	KEY 10X9X170 6604	8
59	4026713010	MANIFOLD FLANGE VL40	2
60	4026911003	DRAIN PLUG 1/2GAS	2

(*) Specify the material

6- REQUEST FOR SPARE PARTS

How to order the spare parts::

- a) The model of the pump.(MOD.)
- b) The serial number of the pump ;

See pump label

- c) The denomination of the part.;
- d) The number of pieces.;
- e) The code of the part.;

See spare parts list

Esempio:

- a) VL 14 Ex
- b) X50012

- c) End lobe
- d) n° 4 pieces
- e) 1503601400