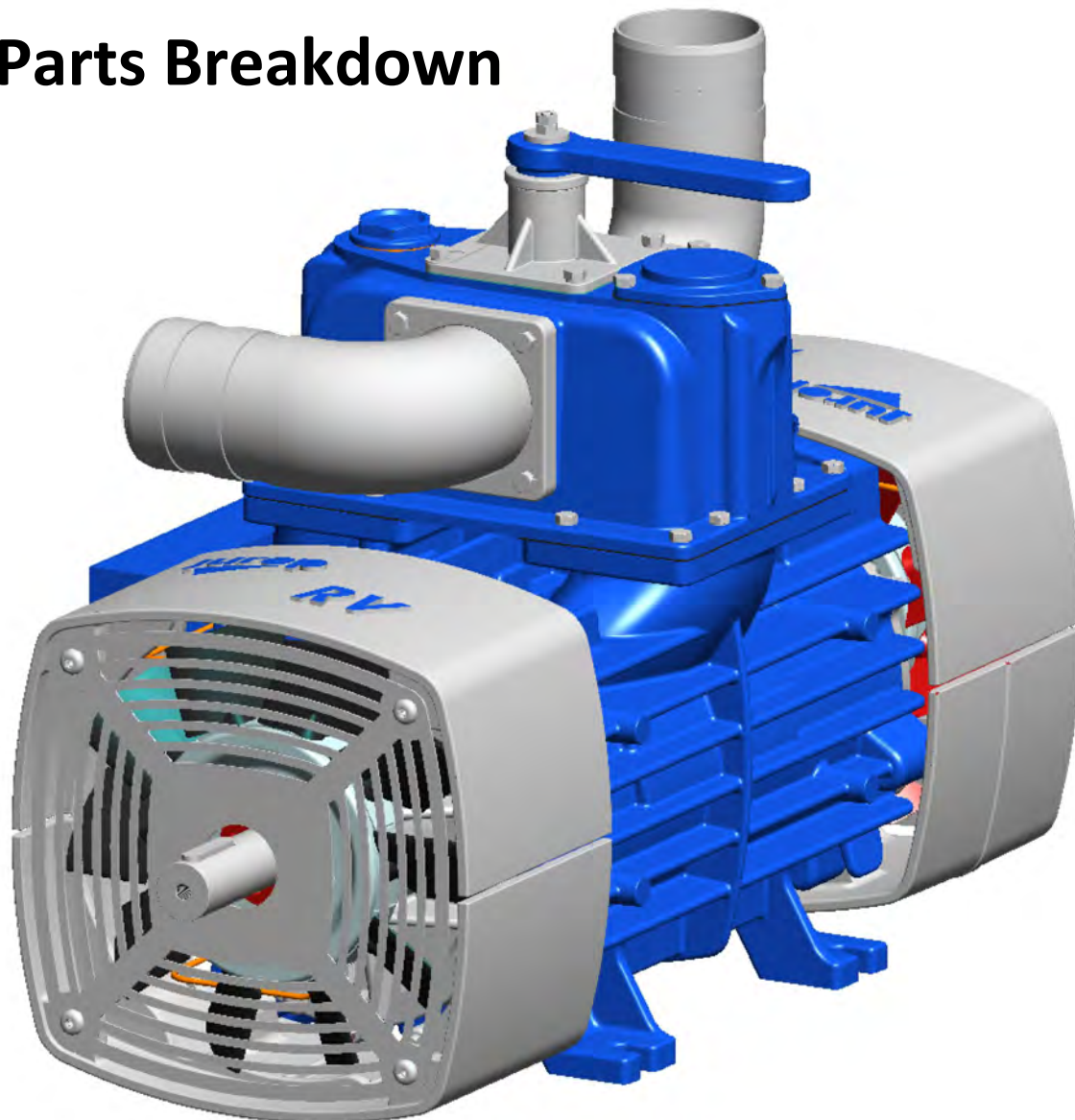


**RV 360**  
**RV 520**

**Jurop**



**Parts Breakdown**



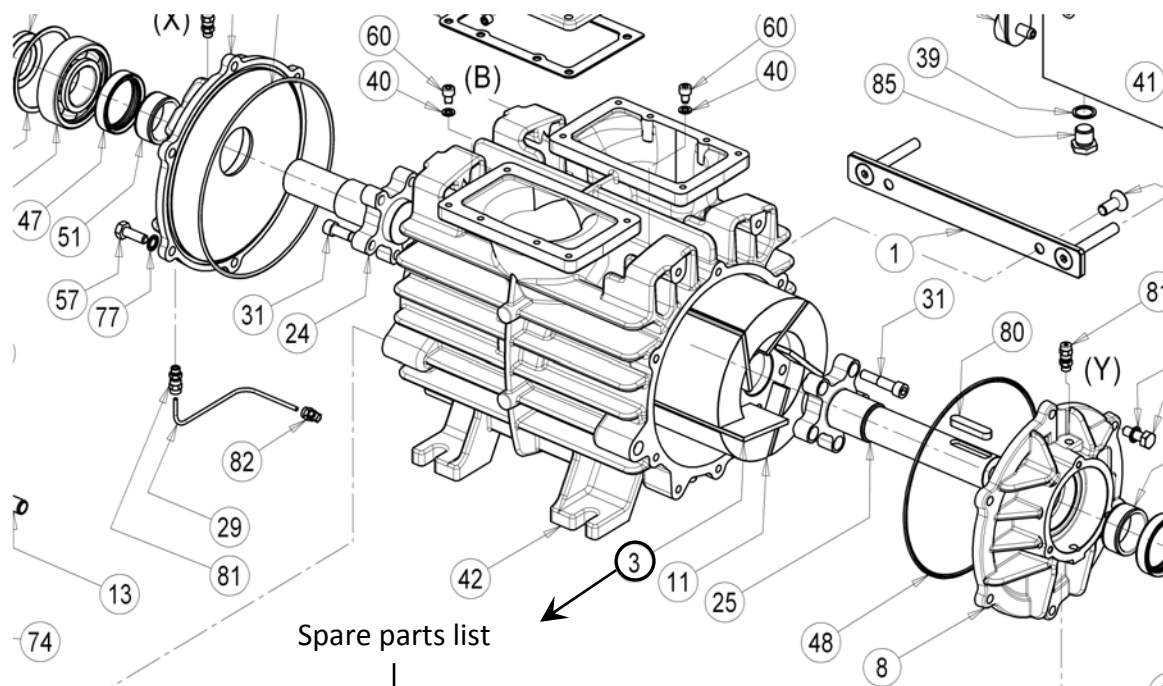
## 14. SPARE PARTS ORDER

When ordering spare parts please provide the following details:

Identify on the spare parts drawing:

- Code
- Description
- Quantity

(e.i.: 1601605900; RV360 vane; 5pcs)



Pos.	Code	Description	Pcs
1	1513053300	RV360 side mounted oil tank support	1
2	1587009400	Oil tank	1
3	1601605900	RV360 vane	5
4	1605500000	Cock handle	1
5	1608501700	Cock	1
6	1610508200	Seal ring cap	2
7	1610510800	4-way manifold cap	1

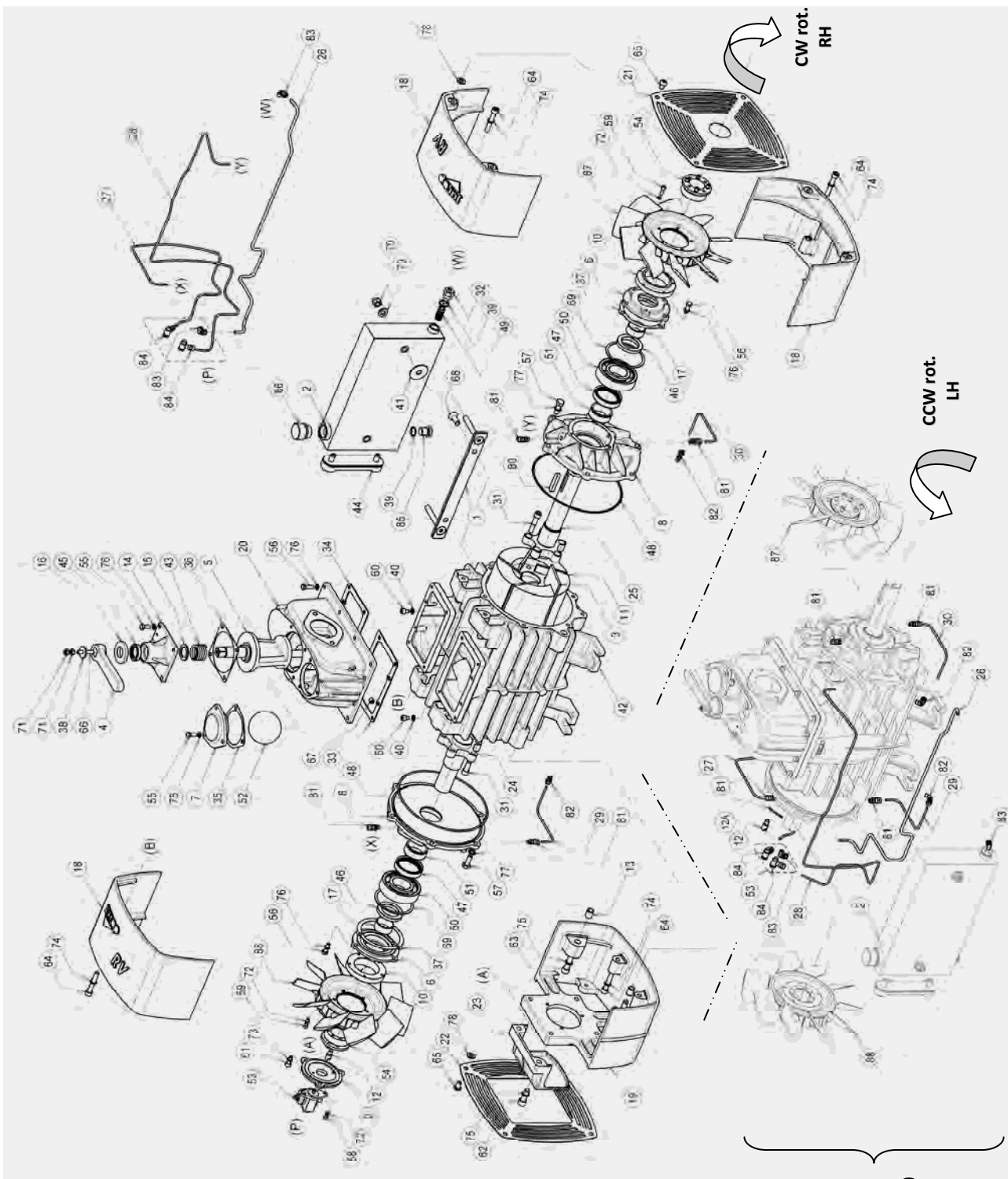
Identify on the pump plate:

- Model
- Serial No°

(e.i.: RV360; K00001)

<b>Jurop</b>	
33082 AZZANO DECIMO - PORDENONE - ITALIA	
MOD.	RV360
SERIAL No.	K00001
YEAR	2010
MAX PRESSURE (bar)	2 ABS
MAX SPEED (R.P.M.)	1300
MADE IN ITALY	

**15. RV360 SPARE PARTS LIST**



**RV 360  
RH**

**RV 360  
LH**

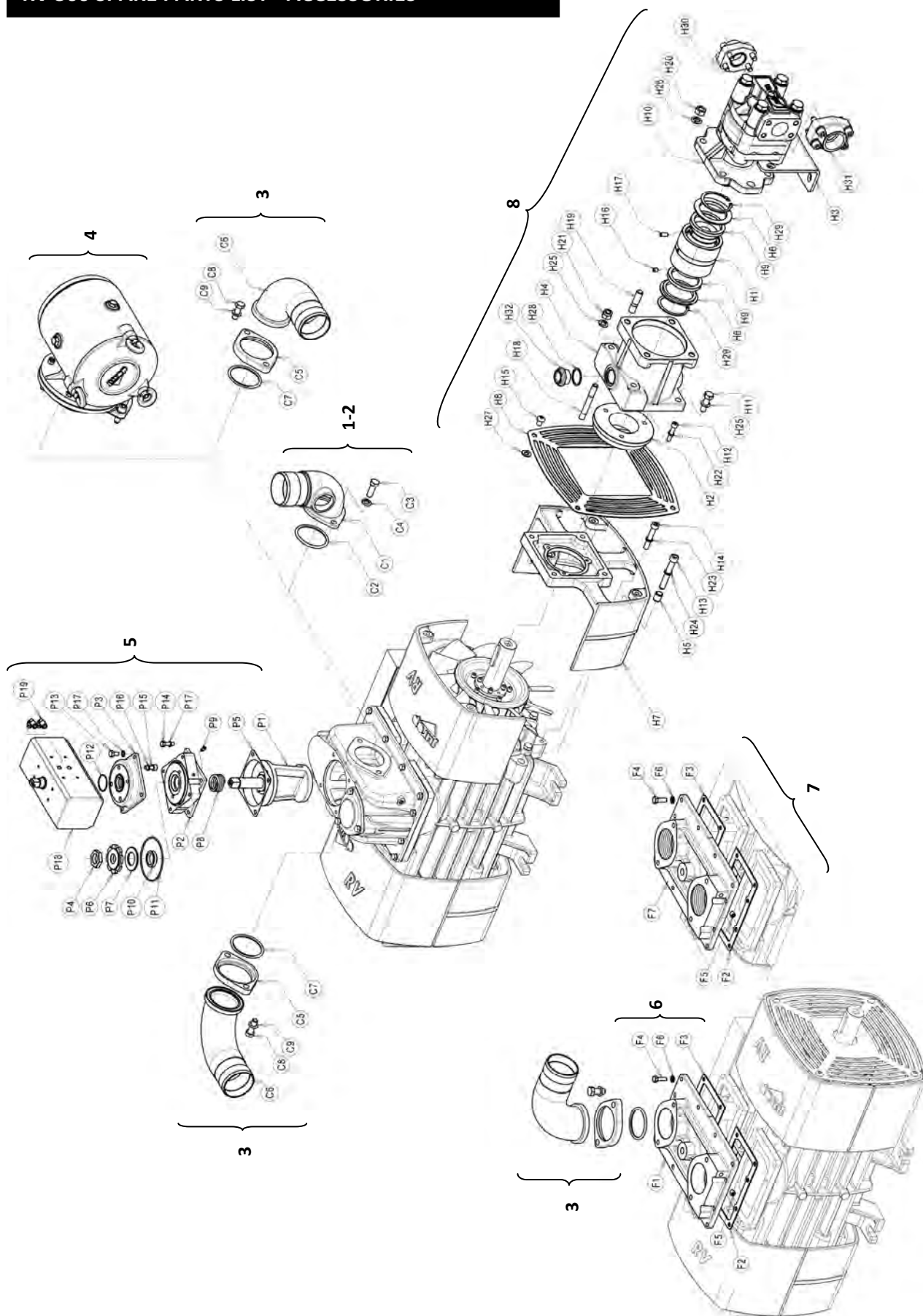
## RV 360 SPARE PARTS LIST

Pos.	Code	Description	Pcs	Pos.	Code	Description	Pcs
1	1513053300	RV360 side mounted oil tank support	1	46	4022200044	Seal 65x45x8	2
2	1587009400	Oil tank	1	47	4022200113	Seal 70x55x15 VIT.	2
3	1601605900	RV360 vane	5	48	4022200309	OR 4875 VIT.	2
4	1605500000	Cock handle	1	49	4022300001	Nylon D.6 oil filter	1
5	1608501700	Cock	1	50	4023100047	Bearing 6309/C3	2
6	1610508200	Seal cap	2	51	4023130035	Bushing 55x45x22	2
7	1610510800	4-way manifold cap	1	52	4023250501	Rubber ball D80 NBR	1
8	1610513900	RV flange	2	53	4024251000	2-way RH oil pump	1
9	16105CF2B0	Oil pump flange	1		4024251500 (*)	2-way LH oil pump	1
10	1611001400	RV fan hub	2	54	4025428111	Locking set RCK16 40x65	2
11	1621503500	RV360 rotor	1	55	4026102806	Screw TE 8,8 M8x20 UNI5931 zinc.	7
12	1622002600	Oil pump drive	1	56	4026102807	Screw TE 8,8 M8x25 UNI5931 zinc.	18
12A	4026414617 (*)	Plug 3x40 UNI6873	1	57	4026102908	Screw TE 8,8 M10x30 UNI 5931 zinc.	12
13	1622010200	RV conveyor dowel pin	2	58	4026121305	Screw TCEI 8,8 M6x16 UNI5931 zinc.	2
14	1623100000	Cock cover	1	59	4026121307	Screw TCEI 8,8 M6x20 UNI5931 zinc.	10
15	1624027500	Cock spring spacer	1	60	4026121401	Screw TCEI 8,8 M8x12 UNI5931 zinc.	2
16	1624202300	Cock regulation spacer	1	61	4026121405	Screw TCEI 8,8 M8x20 UNI5931 zinc.	3
17	1626001100	Seal bushing	2	62	4026121710	Screw TCEI 8,8 M12x35 UNI5931 zinc.	2
18	1627105100	RV conveyor	3	63	4026121719	Screw TCEI 8,8 M12x80 UNI5931 zinc.	2
19	1627105200	RV conveyor with support	1	64	4026121815	Screw TCEI 8,8 M10x60 UNI5931 zinc.	8
20	1627505300	Manifold	1	65	4026122005	Screw TBEI 10,9 M10x15 zinc.	8
21	1642008300	Anterior RV conveyor protection	1	66	4026135414	Screw 12,9 M8x45 zinc.	1
22	1642008400	RV conveyor with support protection	1	67	4026135504	Screw 12,9 M10x10 zinc.	1
23	1642100200	Rear oil pump protection	1	68	4026155909	Screw TSPEI 10,9 M12x30 UNI5933 zinc.	2
24	1650022100	Rear RV shaft	1	69	4026300025	Compensation ring LMKAS100C	2
25	1650022200	Anterior RV shaft	1	70	4026305508	Self-locking nut M12	2
26	1663063900	Oil tank RV360 RH suction line	1	71	4026308005	Nut M8 UNI5588 zinc.	2
	1663064000 (*)	Oil tank RV360 LH suction line	1	72	4026350503	Washer grower 6 sq. sec. DIN7980 zinc.	12
27	1663064300	Oil pump – rear flange oil line	1	73	4026350505	Washer grower 8 sq. sec. DIN7980 zinc.	3
28	1663064400	Oil pump – anterior flange RV360 RH	1	74	4026350506	Washer grower 10 sq. sec. DIN 7980 zinc.	8
	1663065000 (*)	Oil pump – anterior flange RV360 LH	1	75	4026350508	Washer grower 12 sq. sec. DIN7980 zinc.	4
29	1663064600	Rear RH/anterior LH RV360 housing oil line	1	76	4026350706	Washer grower 8 flat sec. zinc.	25
	1663064800 (*)	Anterior RH/rear LH RV360 housing oil line	1	77	4026351506	Washer M10 zinc.	12
30	1663064800	Anterior RH/rear LH RV360 housing oil line	1	78	4026357006	Flat washer M10 UNI6592 zinc.	8
	1663064600 (*)	Rear RH/anterior LH RV360 housing oil line	1	79	4026357007	Flat washer M12 UNI6592 zinc.	2
31	1672001600	Special screw TCEI M10x1,5	10	80	4026501006	Tang 12x8x56	1
32	1673001000	Oil filter plug	1	81	4026702000	Univ. dir. connection 4xG1/8	4
33	1680611400	Discharge side manifold gasket	1	82	4026706000	Univ. 90° connection 4xG1/8	2
34	1680611500	Suction side manifold gasket	1	83	4026706003	Univ. 90° connection 6xG1/8	2
35	1680611600	Manifold cap gasket	1	84	4026706101	Turning connection 4xG1/8	2
36	1680700200	Cock cover gasket	1	85	4026904503	Plug M20x1,5	1
37	1680707300	Seal cap gasket	2	86	4026910103	Plug G1	1
38	1685002800	Washer 30x8,5x4 zinc.	1	87	4028360000	Impeller 10/RS/F.F	1
39	1685100300	Washer D20	2		4028360001 (*)	Impeller 10/LD/F.F.	1
40	1685100800	Washer 8x14x1,5 copper	2	88	4028360001	Impeller 10/LD/F.F.	1
41	1685600200	Washer VULKOLAN 90SH D.47,5x13x2	2		4028360000 (*)	Impeller 10/RS/F.F.	1
42	1687509300	RV360 housing	1				
43	1691000000	Cock spring	1				
44	4022106001	Vertical oil sight	1				
45	4022200030	Seal 41x27x10 GP NBR	1				

(\*) for RV 360 LH version

**Kit of RV360 gaskets: 1892005900**

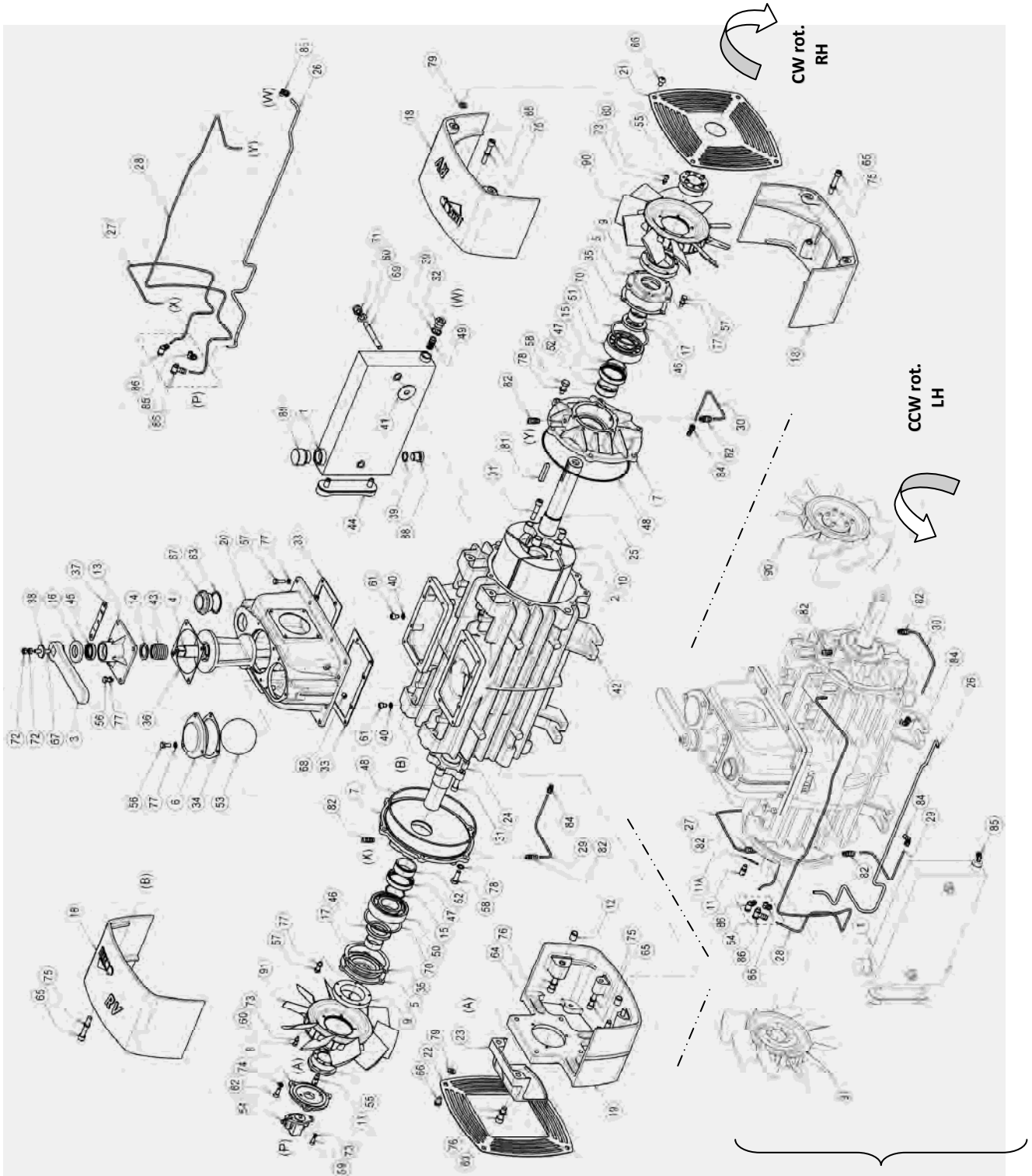
**RV 360 SPARE PARTS LIST - ACCESSORIES**



## RV 360 SPARE PARTS LIST - ACCESSORIES

Pos.	Code	Description	Pcs	Pos.	Code	Description	Pcs
<b>1</b>	<b>1852108600</b>	<b>Fixed suction conveyor ø80 kit</b>		<b>7</b>		<b>Threaded manifold</b>	
C1	1627100300	Suction conveyor ø80	1	F2	1680611400	Discharge side manifold gasket	1
C2	4022200307	OR 6287 VIT.	1	F3	1680611500	Suction side manifold gasket	1
C3	4026103002	Screw TE M12x30 UNI5739 zinc.	2	F4	4026102807	Screw TE 8,8 M8x25 UNI5931 zinc.	12
C4	4026350709	Washer grower 12 flat sec. zinc.	2	F5	4026135504	Screw 12,9 M10x10 zinc.	1
				F6	4026350706	Washer grower 8 flat sec. zinc.	12
				F7	1627505600	Threaded manifold	1
<b>2</b>	<b>1852108900</b>	<b>Fixed suction conveyor ø76 kit</b>		<b>8</b>		<b>Hydraulic drive</b>	
C1	1627100200	Suction conveyer ø76	1	H1	1470106700	HDR RV coupling	1
C2	4022200307	OR 6287 VIT.	1	H2	1610052300	HDR RV flange coupling	1
C3	4026103002	Screw TE M12x30 UNI5739 zinc.	2	H3	1612033700	HDR drive bracket	1
C4	4026350709	Washer grower 12 flat sec. zinc.	2	H4	1612501000	HDR motor mounting flange	1
				H5	1622010200	RV conveyor dowel pin	2
<b>3</b>	<b>1852109000</b>	<b>Turning conveyor ø76 kit</b>		H6	1624042300	HDR RV coupling seal spacer	2
C5	1610100000	Conveyor flange	1	H7	1627105200	RV conveyor with support	1
C6	1627100500	Conveyor ø76	1	H8	1642008400	RV conveyor with support protection	1
C7	4022200307	OR 6287 VIT.	1	H9	4022200011	Seal A 64x80x8 NBR	2
C8	4026103002	Screw TE M12x30 UNI5739 zinc.	2	H10	4024107009	RV360 hydraulic motor	1
C9	4026350709	Washer grower 12 flat. sec. Zinc.	2	H11	4026103004	Screw TE 8,8 M12x40 UNI5739 zinc.	2
				H12	4026121409	Screw TCEI 8,8 M8x40 UNI5931 zinc.	3
<b>4</b>	<b>18521CNGB0</b>	<b>Suction filter kit</b>		H13	4026121719	Screw TCEI 8,8 M12x80 UNI5931 zinc.	2
				H14	4026121815	Screw TCEI 8,8 M10x60 UNI5931 zinc.	2
<b>5</b>	<b>143028B7B0</b>	<b>Pneumatically operated 4-way valve kit</b>		H15	4026122005	Screw TBEI 10,9 M10x15 zinc.	4
P1	160858KNB0	Pneumatic actuator cock	1	H16	4026136005	Screw 12,9 M8x12	1
P2	161258B4B0	Pneumatic actuator support	1	H17	4026136009	Screw 12,9 M8x20	1
P3	1640580QB0	Pneumatic actuator cover	1	H18	4026171211	Screw stud 8,8 M12x80 UNI5911	2
P4	167007ZAB0	Pneumatic actuator nut	1	H19	4026171304	Screw stud 8,8 M14x40 UNI5911	4
P5	1680700200	Cover gasket	1	H20	4026308008	Nut M14 UNI5588 zinc.	4
P6	168409PQB0	Cock regulation ferrule	1	H21	4026305508	Self-locking nut M12	2
P7	168529TFB0	Cock regulation spacer	1	H22	4026350505	Washer grower 8 sq. sec. DIN7980 zinc.	3
P8	1691000200	Cock spring	1	H23	4026350506	Washer grower 10 sq. sec. DIN 7980 zinc.	2
P9	4022100100	Spherical greaser M6x1	1	H24	4026350508	Washer grower 12 sq. sec. DIN7980 zinc.	2
P10	4022200005	Seal 37x27x7	1	H25	4026350709	Washer grower 12 flat sec. zinc.	4
P11	4022200330	OR 3375	1	H26	4026350710	Washer grower 14 flat sec. zinc.	4
P12	4022200331	OR 2137	1	H27	4026357006	Flat washer M10 UNI6592 zinc.	4
P13	4026102804	Screw TE M8x16 UNI5739 zinc.	4	H28	4026510040	Seeger E63 UNI7435-30	2
P14	4026102807	Screw TE M8x25 UNI5739 zinc.	4	H29	4026359001	Washer 40x33,5x1,5	1
P15	4026121405	Screw TCEI M8x20 UNI5931 zinc.	4	H30	4026711003	SAE G1"1/4 flange	1
P16	4026350505	Washer grower 8 sq. sec. DIN7980 zinc.	4	H31	4026711004	SAE G1"1/2 flange	1
P17	4026351505	Washer M8 zinc.	8	H32	4026904003	Plug G1 zinc.	1
P18	4027100405	Pneumatic actuator	1				
P19	4027421206	Connection R15 6xG1/8	2				
<b>6</b>		<b>Flanged manifold</b>					
F1	1627505500	Flanged manifold	1				
F2	1680611400	Discharge side manifold gasket	1				
F3	1680611500	Suction side manifold gasket	1				
F4	4026102807	Screw TE 8,8 M8x25 UNI5931 zinc.	12				
F5	4026135504	Screw 12,9 M10x10 zinc.	1				
F6	4026350706	Washer grower 8 flat sec. zinc.	12				

# 16. RV 520 SPARE PARTS LIST



RV 520  
RH

RV 520  
LH

## RV 520 SPARE PARTS LIST

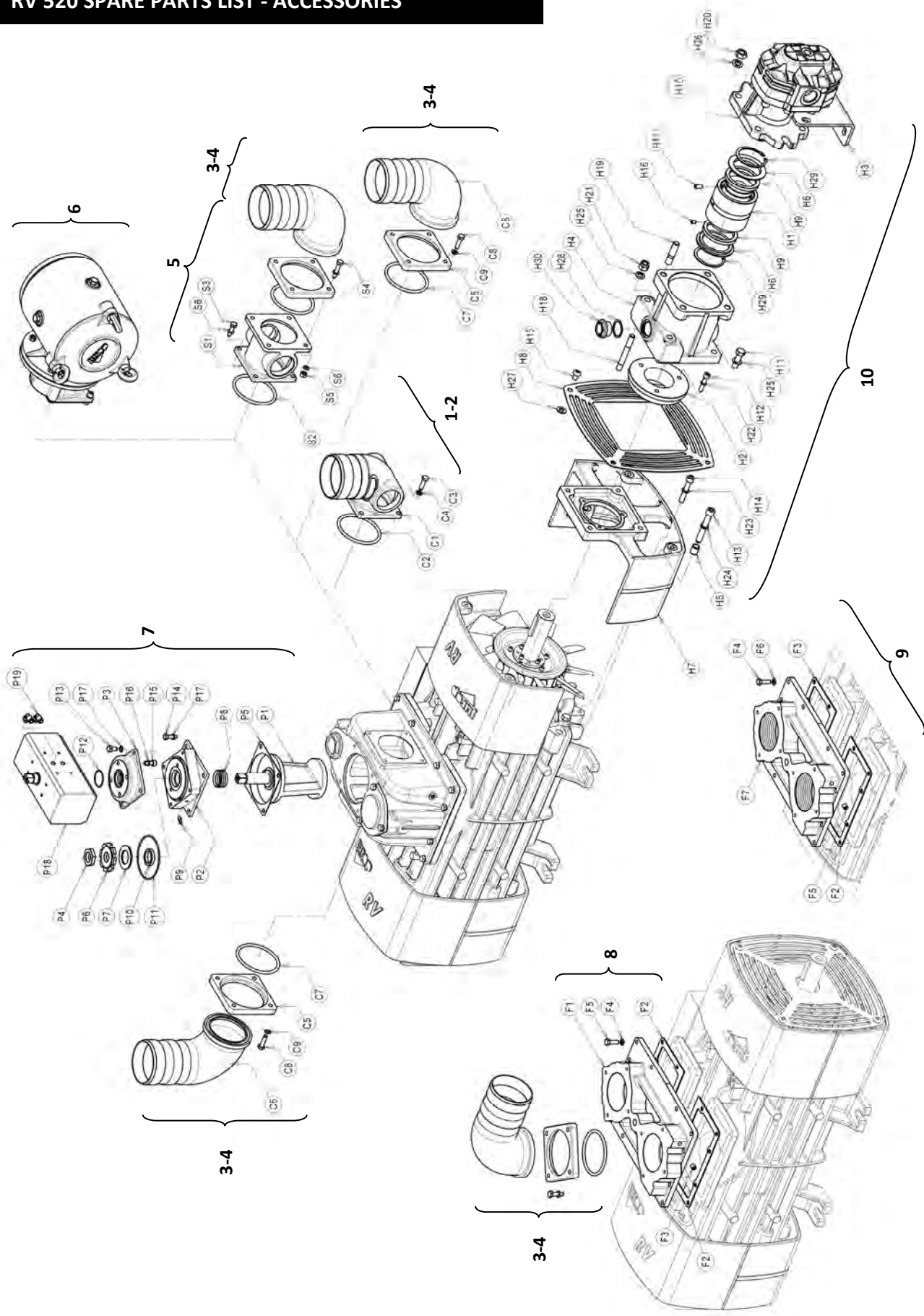
Pos.	Code	Description	Pcs	Pos.	Code	Description	Pcs
1	1587009400	Oil tank	1	47	4022200113	Seal 70x55x15 VIT.	2
2	1601606900	RV520 vane	5	48	4022200309	OR 4875 VIT.	2
3	1605500100	Cock handle	1	49	4022300001	Nylon D.6 oil filter	1
4	1608502500	Cock	1	50	4023100047	Bearing 6309/C3	1
5	1610508200	Seal cap	2	51	4023115057	Bearing NJ 309 ECJ/C3	1
6	1610509800	4-way manifold cap	1	52	4023130035	Bushing 55x45x22	2
7	1610513900	RV flange	2	53	4023250502	Rubber ball D90 NBR	1
8	16105CF280	Oil pump flange	1	54	4024251000	2-way RH oil pump	1
9	1611001400	RV fan hub	2		4024251500 (*)	2-way LH oil pump	1
10	1621507900	RV520 rotor	1	55	4025428111	Locking set RCK16 40x65	2
11	1622002600	Oil pump drive	1	56	4026102806	Screw TE 8,8 M8x20 UNI5931 zinc.	7
11*	4026414617 (*)	Plug 3X40 UNI6873	1	57	4026102807	Screw TE 8,8 M8x25 UNI5931 zinc.	18
12	1622010200	RV conveyor dowel pin	2	58	4026102908	Screw TE 8,8 M10x30 UNI 5931 zinc.	12
13	1623100500	Cock cover	1	59	4026121305	Screw TCEI 8,8 M6x16 UNI5931 zinc.	2
14	1624027500	Cock spring spacer	1	60	4026121307	Screw TCEI 8,8 M6x20 UNI5931 zinc.	10
15	1624042100	RV520 distance ring	2	61	4026121401	Screw TCEI 8,8 M8x12 UNI5931 zinc.	2
16	1624202300	Cock regulation spacer	1	62	4026121405	Screw TCEI 8,8 M8x20 UNI5931 zinc.	3
17	1626001100	Seal bushing	2	63	4026121710	Screw TCEI 8,8 M12x35 UNI5931 zinc.	2
18	1627105100	RV conveyor	3	64	4026121719	Screw TCEI 8,8 M12x80 UNI5931 zinc.	2
19	1627105200	RV conveyor with support	1	65	4026121815	Screw TCEI 8,8 M10x60 UNI5931 zinc.	8
20	1627504600	Manifold	1	66	4026122005	Screw TBEI 10,9 M10x15 zinc.	8
21	1642008300	Anterior RV conveyor protection	1	67	4026135414	Screw 12,9 M8x45 zinc.	1
22	1642008400	RV conveyor with support protection	1	68	4026135504	Screw 12,9 M10x10 zinc.	1
23	1642100200	Rear oil pump protection	1	69	4026171211	Screw stud 8,8 M12x80	2
24	1650022100	Rear RV shaft	1	70	4026300025	Compensation ring LMKAS100C	2
25	1650022200	Anterior RV shaft	1	71	4026305508	Self-locking nut M12	2
26	1663064100	Oil tank RV520 RH suction line	1	72	4026308005	Nut M8 UNI5588 zinc.	2
	1663064200 (*)	Oil tank RV520 LH suction line	1	73	4026350503	Washer grower 6 sq. sec. DIN7980 zinc.	12
27	1663064300	Oil pump – rear flange oil line	1	74	4026350505	Washer grower 8 sq. sec. DIN7980 zinc.	3
28	1663064500	Oil pump – anterior flange RV520 RH	1	75	4026350506	Washer grower 10 sq. sec. DIN 7980 zinc.	8
	1663065100 (*)	Oil pump – anterior flange RV520 LH	1	76	4026350508	Washer grower 12 sq. sec. DIN7980 zinc.	4
29	1663064700	Rear RH/anterior LH RV520 housing oil line	1	77	4026350706	Washer grower 8 flat sec. zinc.	25
	1663064900 (*)	Anterior RH/rear LH RV520 housing oil line	1	78	4026351506	Washer M10 zinc.	12
30	1663064900	Anterior RH/rear LH RV520 housing oil line	1	79	4026357006	Flat washer M10 UNI6592 zinc.	8
	1663064700 (*)	Rear RH/anterior LH RV520 housing oil line	1	80	4026357007	Flat washer M12 UNI6592 zinc.	2
31	1672001600	Special screw TCEI M10x1,5	10	81	4026501006	Tang 12x8x56	1
32	1673001000	Oil filter plug	1	82	4026702000	Univ. dir. connection 4xG1/8	4
33	1680610200	Manifold gasket	2	83	4026702708	Washer G1''1/2	1
34	1680610500	Manifold cap gasket	1	84	4026706000	Univ. 90° connection 4xG1/8	2
35	1680707300	Seal cap gasket	2	85	4026706003	Univ. 90° connection 6xG1/8	2
36	1680707800	Cock cover gasket	1	86	4026706101	Turning connection 4xG1/8	2
37	1681006800	Cock cover plate	1	87	4026904005	Plug G1''1/2	1
38	1685002800	Washer 30x8,5 zinc.	1	88	4026904503	Plug M20x1,5	1
39	1685100300	Washer D20	2	89	4026910103	Plug G1	1
40	1685100800	Washer 8x14x1,5 copper	2	90	4028360000	Impeller 10/RS/F.F	1
41	1685600200	Washer VULKOLAN 90SH D.47,5x13x2	2		4028360001 (*)	Impeller 10/LD/F.F.	1
42	1687509400	RV520 housing	1	91	4028360001	Impeller 10/LD/F.F.	1
43	1691000000	Cock spring	1		4028360000 (*)	Impeller 10/RS/F.F.	1
44	4022106001	Vertical oil sight	1				
45	4022200030	Seal 41x27x10 GP NBR	1				
46	4022200044	Seal 65x45x8	2				

(\*) for RV 520 LH version

Kit of RV520 gaskets: 1892006000



**RV 520 SPARE PARTS LIST - ACCESSORIES**



## RV 520 SPARE PARTS LIST - ACCESSORIES

Pos.	Code	Description	Pcs	Pos.	Code	Description	Pcs
<b>1</b>	<b>1852103400</b>	<b>Fixed suction conveyor ø80 kit</b>		P15	4026121405	Screw TCEI M8x20 UNI5931 zinc.	4
C1	1627101300	Suction conveyor ø80	1	P16	4026350505	Washer grower 8 sq. Sec. DIN7980 zinc.	4
C2	4022200310	OR 6362 VIT.	1	P17	4026351505	Washer M8 zinc.	8
C3	4026102807	Screw TE M8x25 UNI5739 zinc.	4	P18	4027100405	Pneumatic actuator	1
C4	4026350706	Washer grower 8 flat sec. zinc.	4	P19	4027421206	Connection R15 6xG1/8	2
<b>2</b>	<b>1852103500</b>	<b>Fixed suction conveyor ø100 kit</b>		<b>8</b>		<b>Flanged manifold</b>	
C1	1627101200	Suction conveyor ø100	1	F1	1627504800	Flanged manifold	1
C2	4022200310	OR 6362 VIT.	1	F2	1680610200	Manifold gasket	2
C3	4026102807	Screw TE M8x25 UNI5739 zinc.	4	F3	4026135504	Screw 12,9 M10x10 zinc.	1
C4	4026350706	Washer grower 8 flat sec. zinc.	4	F4	4026350706	Washer grower 8 flat sec. zinc.	12
				F5	4026102807	Screw TE 8,8 M8x25 UNI5931 zinc.	12
<b>3</b>	<b>1852103900</b>	<b>Turning conveyor ø80 kit</b>		<b>9</b>		<b>Threaded manifold</b>	
C5	1610101100	Conveyor flange	1	F2	1680610200	Manifold gasket	2
C6	1627102700	Conveyor ø80	1	F3	4026135504	Screw 12,9 M10x10 zinc.	1
C7	4022200310	OR 6362 VIT.	1	F4	4026350706	Washer grower 8 flat sec. zinc.	12
C8	4026102808	Screw TE M8x30 UNI5739 zinc.	4	F5	4026102807	Screw TE 8,8 M8x25 UNI5931 zinc.	12
C9	4026350706	Washer grower 8 flat sec. zinc.	4	F6	1627504900	Threaded manifold	1
<b>4</b>	<b>1852104000</b>	<b>Turning conveyor ø100 kit</b>		<b>10</b>		<b>Hydraulic drive</b>	
C5	1610101100	Conveyor flange	1	H1	1470106700	HDR RV coupling	1
C6	1627102400	Conveyor ø100	1	H2	1610052300	HDR RV flange coupling	1
C7	4022200310	OR 6362 VIT.	1	H3	1612033700	HDR drive bracket	1
C8	4026102808	Screw TE M8x30 UNI5739 zinc.	4	H4	1612501000	HDR motor mounting flange	1
C9	4026350706	Washer grower 8 flat sec. zinc.	4	H5	1622010200	RV conveyor dowel pin	2
<b>5</b>	<b>1852104100</b>	<b>Kit for safety valve</b>		H6	1624042300	HDR RV coupling seal spacer	2
S1	1627102500	Safety valve G2 support	1	H7	1627105200	RV conveyor with support	1
S2	4022200310	OR 6362 VIT.	1	H8	1642008400	RV conveyor with support protection	1
S3	4026102807	Screw TE 8,8 M8x25 UNI5739 zinc.	4	H9	4022200011	Seal A 64x80x8 NBR	2
S4	4026102810	Screw TE 8,8 M8x40 UNI5739 zinc.	4	H10	4024107001	RV520 hydraulic motor	1
S5	4026308005	Nut M8 UNI5588 zinc.	4	H11	4026103004	Screw TE 8,8 M12x40 UNI5739 zinc.	2
S6	4026350706	Washer grower 8 flat sec. zinc.	8	H12	4026121409	Screw TCEI 8,8 M8x40 UNI5931 zinc.	3
<b>6</b>	<b>185212L4B0</b>	<b>Suction filter kit components</b>		H13	4026121719	Screw TCEI 8,8 M12x80 UNI5931 zinc.	2
<b>7</b>	<b>143028GZB0</b>	<b>Pneumatically operated 4-way valve kit</b>		H14	4026121815	Screw TCEI 8,8 M10x60 UNI5931 zinc.	2
P1	160858KBB0	Pneumatic actuator cock	1	H15	4026122005	Screw TBEI 10,9 M10x15 zinc.	4
P2	161258H0B0	Pneumatic actuator support	1	H16	4026136005	Screw 12,9 M8x12	1
P3	1640580QB0	Pneumatic actuator cover	1	H17	4026136009	Screw 12,9 M8x20	1
P4	167007ZAB0	Pneumatic actuator nut	1	H18	4026171211	Screw stud 8,8 M12x80 UNI5911	2
P5	1680707800	Cover gasket	1	H19	4026171304	Screw stud 8,8 M14x40 UNI5911	4
P6	168409PQB0	Cock regulation ferrule	1	H20	4026308008	Nut M14 UNI5588 zinc.	4
P7	168529TFB0	Cock regulation spacer	1	H21	4026305508	Self-locking nut M12	2
P8	1691000200	Cock spring	1	H22	4026350505	Washer grower 8 sq. sec. DIN7980 zinc.	3
P9	4022100100	Spherical greaser M6x1	1	H23	4026350506	Washer grower 10 sq. sec. DIN 7980 zinc.	2
P10	4022200005	Seal 37x27x7	1	H24	4026350508	Washer grower 12 sq. sec. DIN7980 zinc.	2
P11	4022200330	OR 3375	1	H25	4026350709	Washer grower 12 flat sec. zinc.	4
P12	4022200331	OR 2137	1	H26	4026350710	Washer grower 14 flat sec. zinc.	4
P13	4026102804	Screw TE M8x16 UNI5739 zinc.	4	H27	4026357006	Flat washer M10 UNI6592 zinc.	4
P14	4026102807	Screw TE M8x25 UNI5739 zinc.	4	H28	4026359001	Washer 40x33,5x1,5	1
				H29	4026510040	Seeger E63 UNI7435-30	2
				H30	4026904003	Plug G1 zinc.	1