

CT Series Breakdown

Jurop



COMPANY WITH QUALITY MANAGEMENT
SYSTEM CERTIFIED BY DNV
= ISO 9001:2008 =

SCRAPPING

Before scrapping it is necessary to properly subdivide and dispose of the following materials:

- lubricating oil
- rubber and plastic parts
- cast-iron, steel and aluminum parts.

Do not leave them in the environment.

Do not use as spare parts the dismantled parts that are to be scrapped.

SPARE PARTS CLAIM

To order spare parts provide the following data:

Locate on the spare parts table:

- code
- denomination
- no. pieces necessary
(E.g.. : code 1680710100 ; Cover gasket. ; 1 piece)

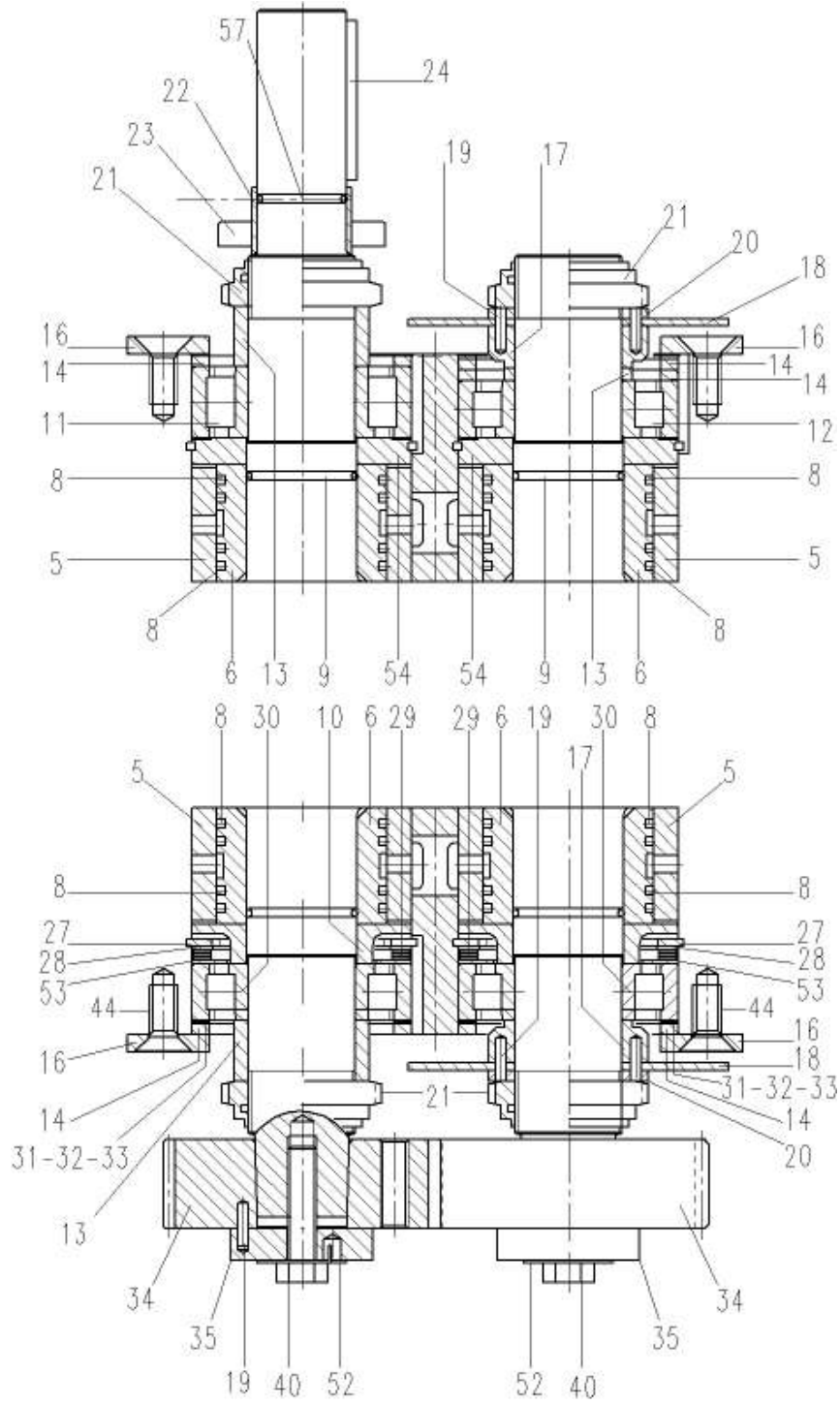
Locate on the aspirator label:

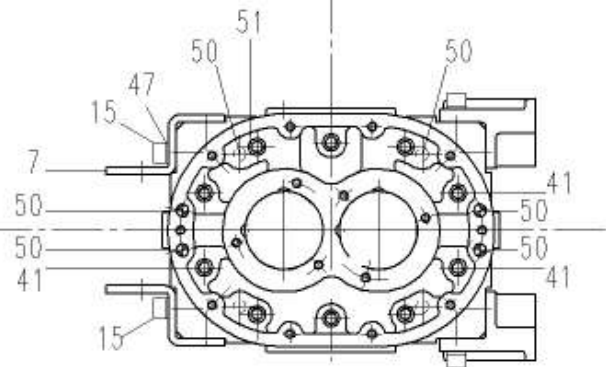
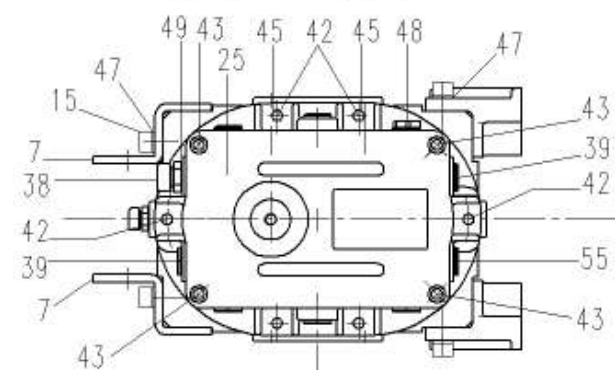
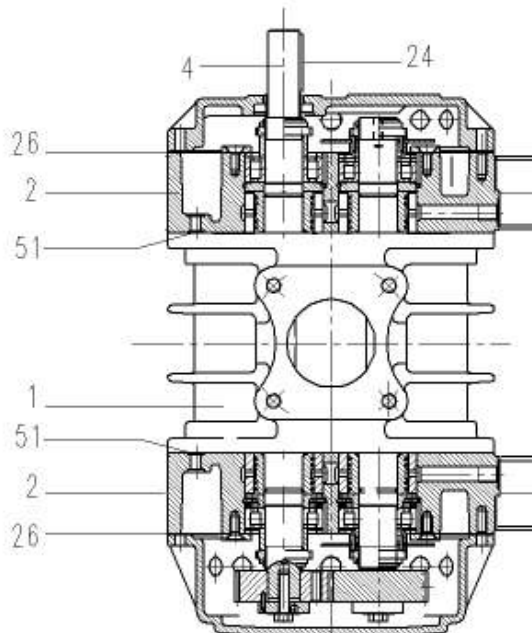
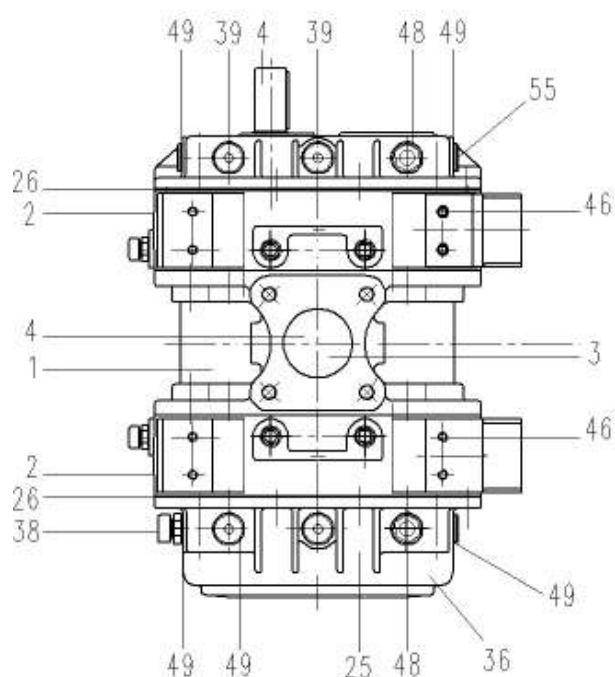
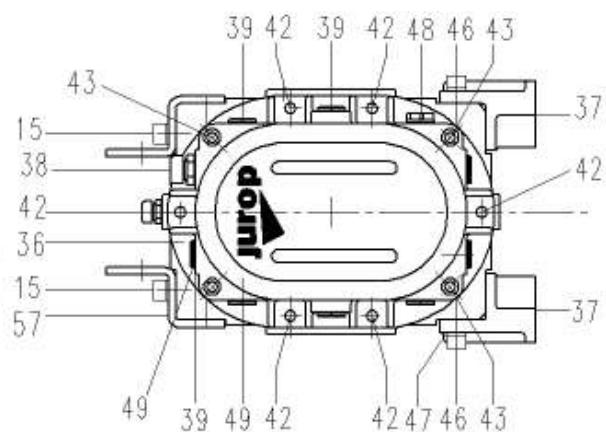
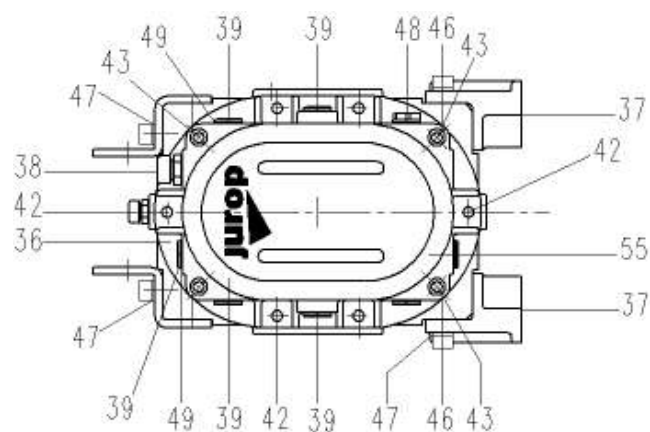
- model
- registration number (E. g.. : CT 30 ; H50013)

16. SPARE PARTS CATALOG CT 30 and CT 50

Pos	Code	Description	Quantity
1	1687508600	Housing CT 30	1
"	1687508500	Housing CT 50	1
2	1662500500	Bed	2
3	1621506700	Reel conduit CT30	1
"	1621506900	Reel conduit CT50	1
4	1621506800	Reel conductor CT30	1
"	1621507000	Reel conductor CT50	1
5	1624501900	Segment Seal collet	4
6	1624502000	Segment drive collet	4
7	1613046100	Lifting support	4
8	4022203612	Cast-iron Segments Ø 48 / 43,6_2,5	16
9	4022200325	Ring OR 2106 Viton	4
10	1647001300	Oilfeal disk	2
11	402318VB00	Bearing NJ 2206 R	1
12	402318TB00	Bearing NJ 206 R	1
13	1624038200	Distance piece	2
14	1624037900	Distance piece	5
15	4026120505	Screw TCEI 10x25	8
16	1681008700	Kearing keep plate	12
17	1624037800	Disk Distance piece oil mixer 12mm thick	2
18	1647001000	Oil mixer disk	2
19	4026401101	Cylindrical plug 3x12	6
20	1624037400	Distance piece oil mixer 3mmthick	2
21	402630RB02	Self-locking metal ring M 45x1,5	4
22	1624037300	Bed for seal ring	1
23	4022200153	Seal ring VITON 30 / 47/ 7	1
24	4026500808	Tab 8/ 7/ 45	1
25	1640102400	Front cover	1
26	1680710100	Cover gasket	2
27	4026510535	Ring seeger	2
28	1624038500	Distance piece for rings 1 mm thick	2
29	4026300006	Compensation ring	8
30	402318UB00	Bearing NUP 206R	2
31	1624038000	Control distance piece of 0,1mm	x
32	1624038300	Control distance piece of 0,15mm	x
33	1624038400	Control distance piece of 0,5mm	x
34	165101N5B0	Phase gears M 1,5 Z 50	2
35	1685007000	Gears washer	2
36	1640102300	Rear cover	1
37	1613501500	Foot support	4
38	4026910001	Breather pipe plug G 3/8	2
39	4026701602	Zinc-plated plug w/head G 3/8	12
40	4026107111	Screw TE 8,8 M 8x30 5739	2
41	4026120406	Screw TCEI 8,8 M 8x30 5931	20
42	4026120405	Screw TCEI 8,8 M 8x25 5931	12
43	4026120411	Screw TCEI 8,8 M 8x55	8
44	4026155706	Screw TSPEI 10,9 M 8x18 5933	12
45	4026350505	Washer grower 8 square section	40
46	4026120506	ScrewTCEI 8,8 M 10x30 5931	8
47	4026350506	Washer grower 10 square section	8
48	4022104501	Oil level warning light plug G 3/8	2
49	1685100200	Aluminum flat washer 17x22x1,5	19

50	4026401806	Processed cylindrical plug 10x36 N6325	12
51	4022200317	Ring OR108 Viton	20
52	1685006900	Safety washer	2
53	1624038600	Distance piece for rings 1 mm thick	1
54	1647001100	Oil spreader compressive disk	2
55	4026701620	Magnetic plug W/head G 3/8 hexagonal	2
56	4026120505	Screw TCEI 10x25	8
57	4022200326	Ring OR2081 Viton	1

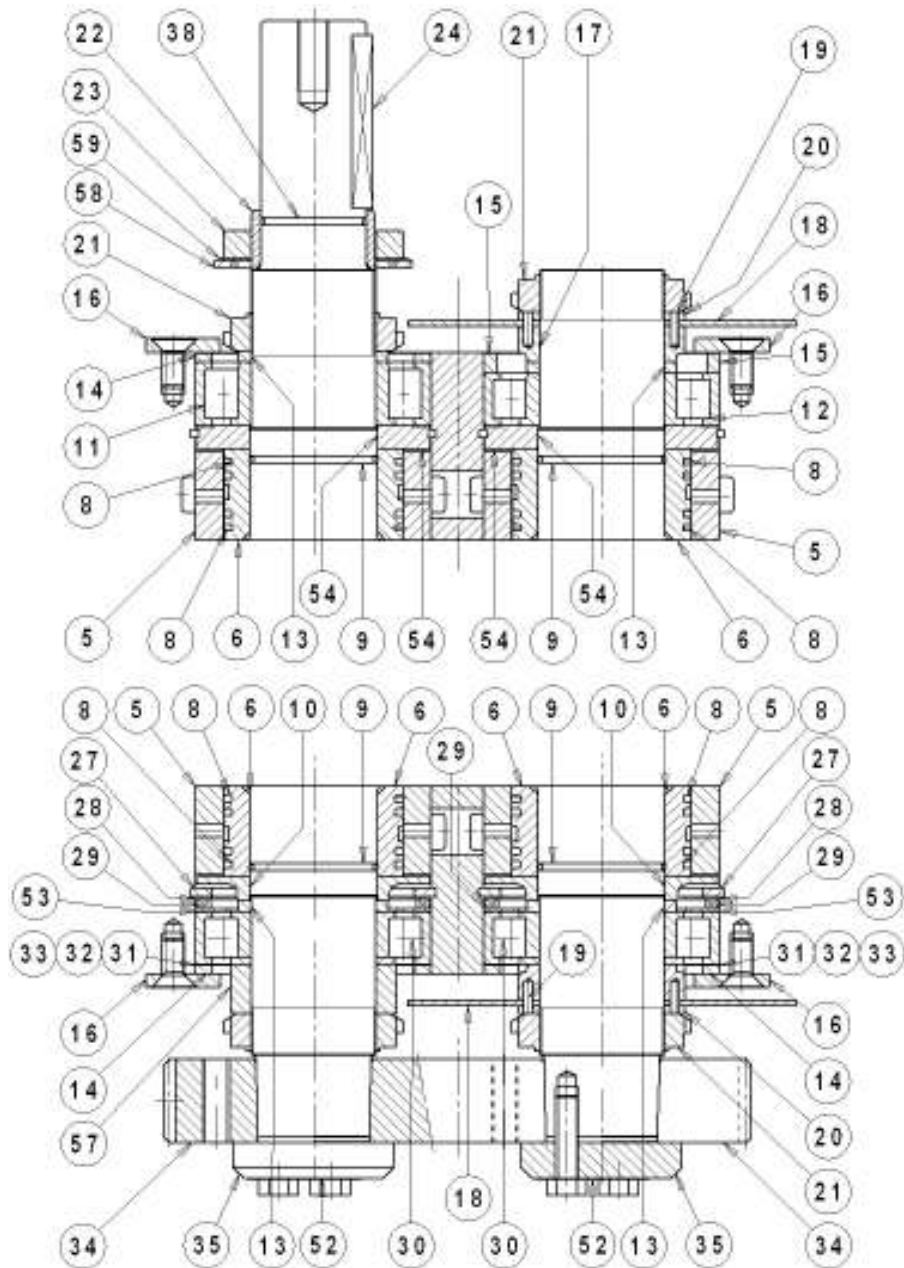


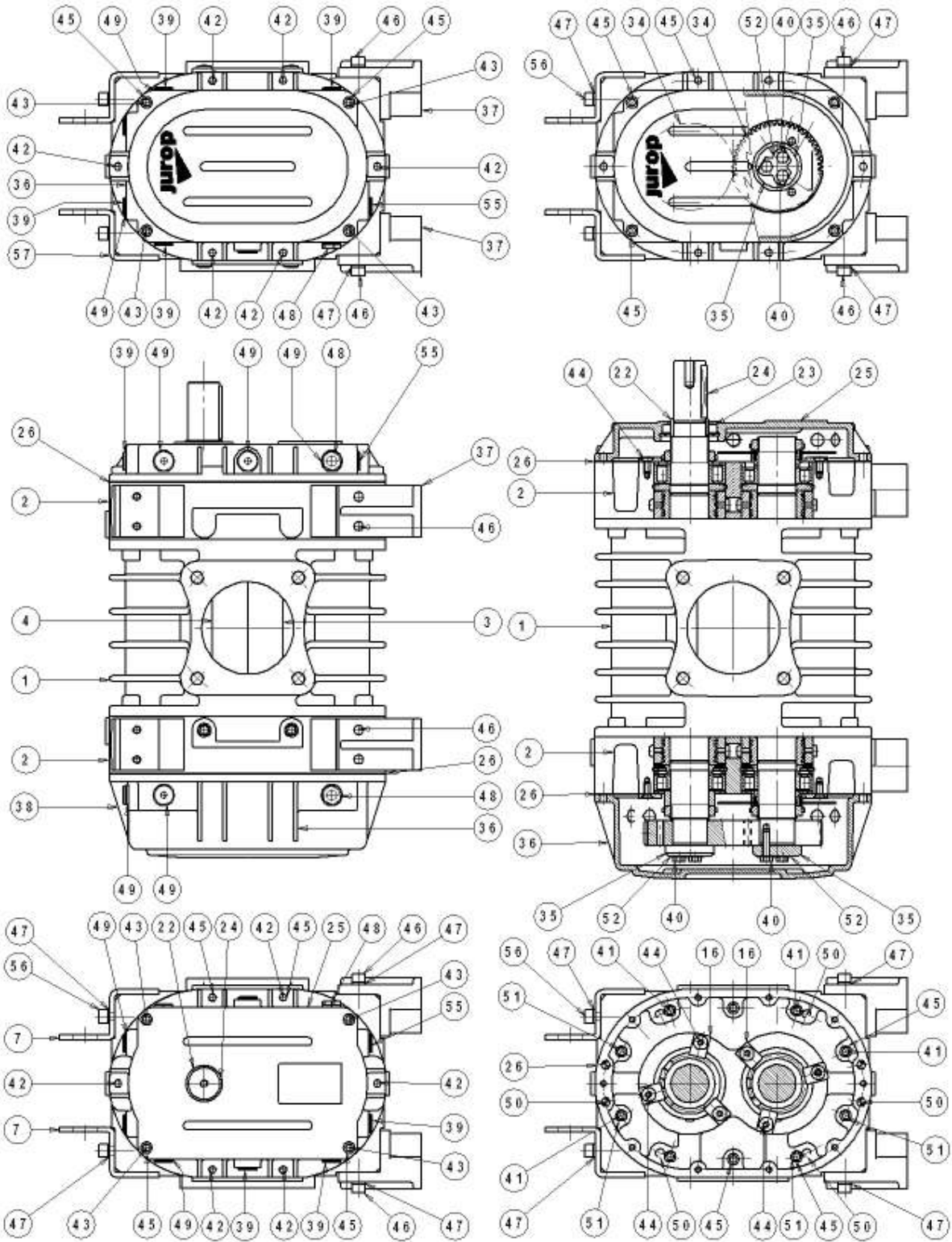


17. SPARE PARTS CATALOG CT 80 – CT 105 – CT 130

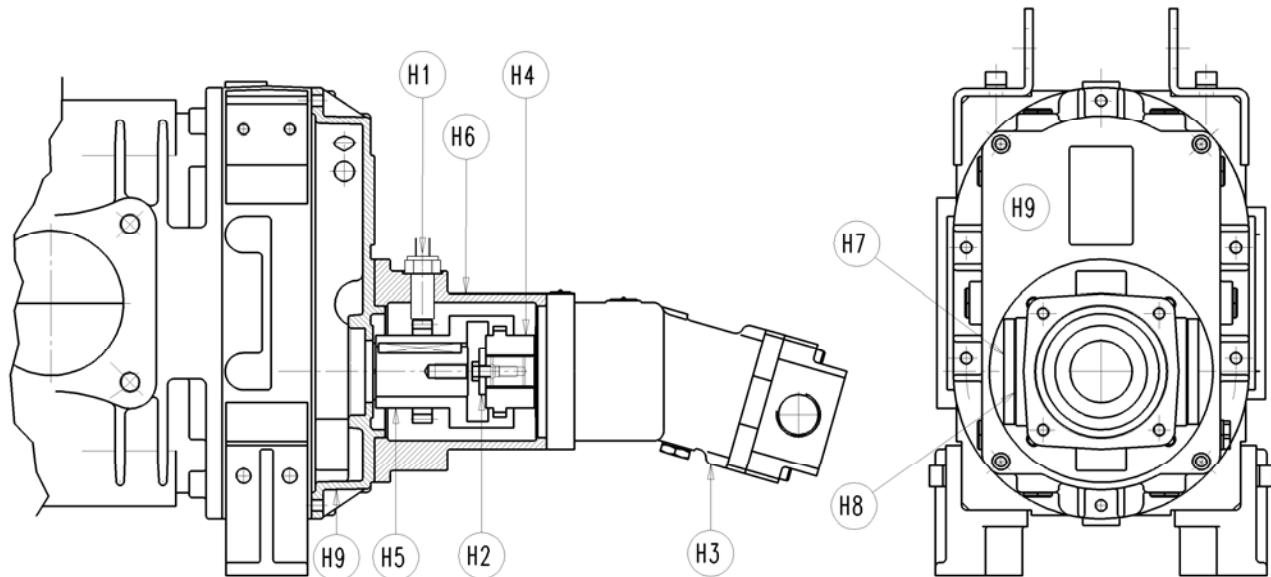
Pos	Code	Description	Quantity
1	1687508000	Housing CT 130	1
"	1687507900	Housing CT 105	1
"	1687507800	Housing CT 80	1
2	1662500400	Bed	2
3	1621506100	Reel conduit CT 130	1
"	1621505900	Reel conduit CT 105	1
"	1621505700	Reel conduit CT 80	1
4	1621506200	Reel conductor CT 130	1
"	1621506000	Reel conductor CT 105	1
"	1621505800	Reel conductor CT 80	1
5	1624501600	Compassbox bed	4
6	1624502200	Segmentbox compass	4
7	1613034900	Lifting support	2
8	4022203611	Cast-iron segments	16
9	4022200313	Ring OR 2162 Viton (color: green)	4
10	1647000400	Oilfeal disk	2
11	4023115053	Bearing NJ 2209 45/85/23 ECJ/C4	1
12	4023115051	Bearing NJ 209 45/85/19 ECJ/C3	1
13	1624035600	Distance piece 54/45/4	4
14	1624035700	Distance piece 85/73/3	3
15	1624036100	Distance piece 85/76/7	1
16	1681008400	Bearing keep plate	12
17	1624036200	Disk distance piece oil mixer 13mm thick	2
18	1647001200	Oil mixer disk	2
19	4026401101	Cylindrical plug 3x12	4
20	1624036300	Disk distance piece oil mixer 3mm thick	2
21	402630RB05	Self-locking metal ring M 45x1,5	4
22	162404TQB0	Bed for seal ring	1
23	4022200154	Seal ring DOMSEL	1
24	4026500911	Tab 10/8/63	1
25	1640102100 1640501500	Front cover Transmission front cover HDR	1
26	1680709600	Cover gasket	2
27	4026510545	Ring seeger \varnothing_{int} 85mm 7437	2
28	1624036000	Distance piece for rings 1mm thick	2
29	4026300018	Compensation ring	8
30	4023115046	Bearing NUP 209 45/85/19 ECJ/C3	2
31	1624035800	Control distance piece of 0,1mm	x
32	1624035900	Control distance piece of 0,15mm	x
33	1624036900	Control distance piece 0,4mm	1
34	1651002RA0	Phase toothed wheel	2
35	1681008500	Gear blocking washer	2
36	1640102200	Rear cover	1
37	1613501300	Foot support	4
38	402220316	Ring OR 2137 Viton	1
39	4026701602	Zinc-plated plug w/head G 3/8	16
40	4026107111	Screw TE 8,8 M 8x30 5739	6
41	4026120406	Screw TCEI 8,8 M 8x30 5931	20
42	4026120405	Screw TCEI 8,8 M 8x25 5931	12
43	4026120411	Screw TCEI 8,8 M 8x55	8
44	4026155706	Screw TSPEI 10,9 M 8x18 5933	12
45	4026350505	Washer grower 8 square section	40
46	4026120506	Screw TCEI 8,8 M 10x30 5931	8

47	4026350506	Washer grower 10 square section	12
48	4022104501	Oil level warning light plug G 3/8	2
49	1685100200	Aluminum flat washer 17x22x1,5	18
50	4026401806	Processed cylindrical plug 10x36	12
51	4022200317	Ring OR108 Viton	20
52	1681008600	Safety washer	2
53	1624037000	Distance piece 85/60/1	2
54	1647000900	Front distance piece 85/46/8,5	2
55	4026701620	Magnetic plug W/head G 3/8	2
56	4026120505	Screw TCEI 10x25	8
57	1624035500	Distance piece 60/45/18	1
58	4026510538	Seeger	1
59	162404TUB0	Distance piece	1





HYDRAULIC DRIVE SPARE PARTS CATALOG CT 80 – CT 105 – CT 130



Pos	Code	Description	Quantity
H1	4028321601	Sensor ind. VDO 340.804/006/007C	1
H2	4026353800	Washer 8,5 D. 35 ZN	1
H3	40241DZB00	Hydraulic engine H1C 20 S LM2 R M viton	1
H4	1655003900	Transmission semijoint HDR	1
H5	1576001200	Transmission semijoint HDR PVT200	1
H6	1612504500	Transmission box HDR PVT200	1
H7	1610051700	Service flange	2
H8	1680709700	Gasket for flange	2
H9	1640501500	Transmission front cover HDR	1