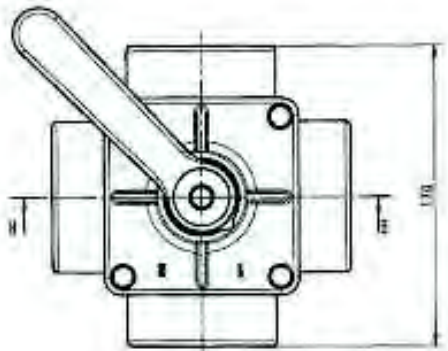
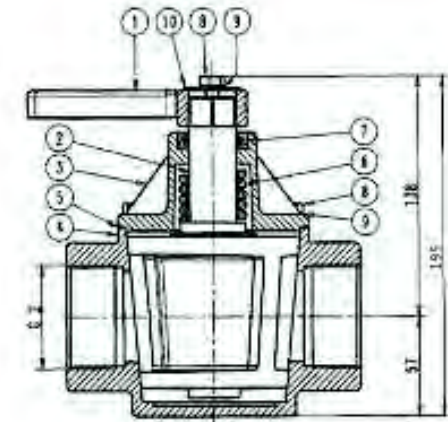




COMPANY WITH QUALITY MANAGEMENT
SYSTEM CERTIFIED BY DNV
= ISO 9001:2008 =

4 Way Valve



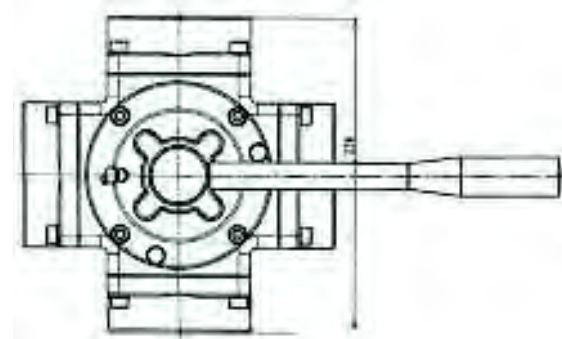
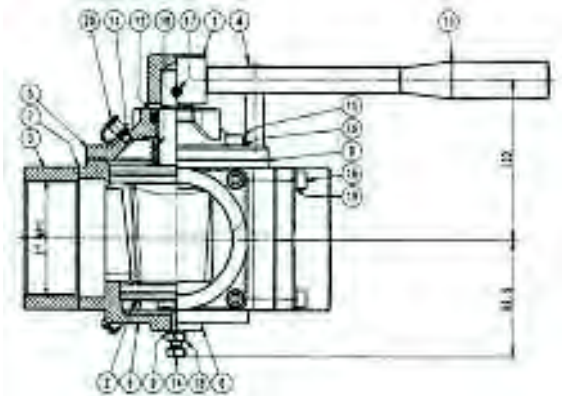


2" JUROP 4-WAY VALVE

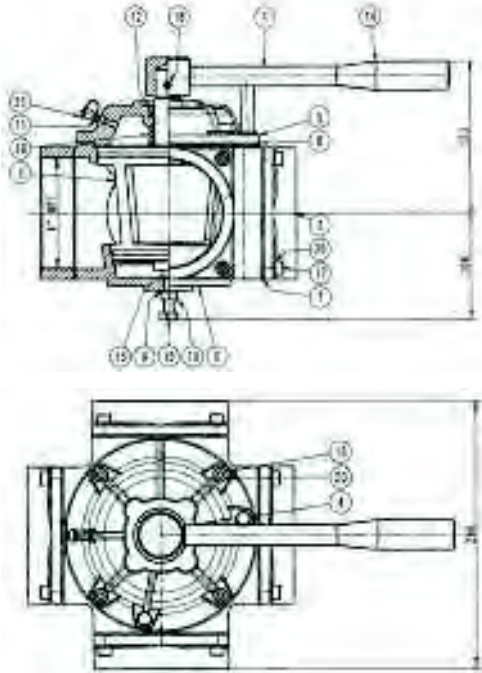
#	PART NUMBER	DESCRIPTION
1	1605500000	Handle
2	1608500000	Valve Cock
3	1623100000	Valve Cap (PN/PNR 72-82)
4	1627500600	Valve Body
5	1680700200	Gasket (PN/R/PNR/DL)
6	1691000000	Spring
7	4022200030	Seal Ring (41 x 27 x 10)
8	4026107108	Bolt (8 x 20mm)
9	4026350909	Washer (8mm)
10	4026356004	Washer (8mm)

3" JUROP 4-WAY VALVE

#	PART NUMBER	DESCRIPTION
1	1505000100	Handle
2	1608500600	Valve Cock
3	1610502500	3" NPT Flange
4	1622002300	Handle Pin
5	1623500200	Valve Cap
6	1627501000	Valve Body
7	1680702100	Flange Gasket
8	1680702300	Gasket
9	1685100800	Washer (8mm)
10	1691000200	Spring
11	4022100100	Grease Zert
12	4022200030	Seal Ring (41 x 27 x 10)
13	4025505008	Handle Grip
14	4026102808	Bolt (8 x 30mm)
15	4026120403	Bolt (8 x 20mm)
16	4026120406	Bolt (8 x 30mm)
17	4026136005	Bolt (8 x 12mm)
18	4026308005	Nut (8mm)
19	4026350909	Washer (8mm)
20	4029602700	Cap Cover



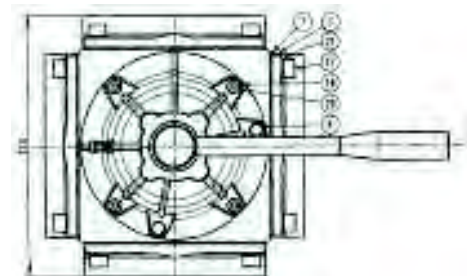
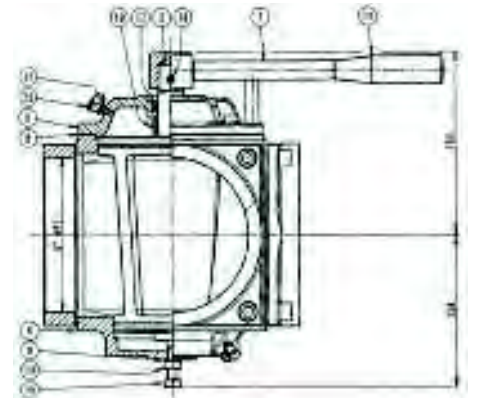
4" JUROP 4-WAY VALVE

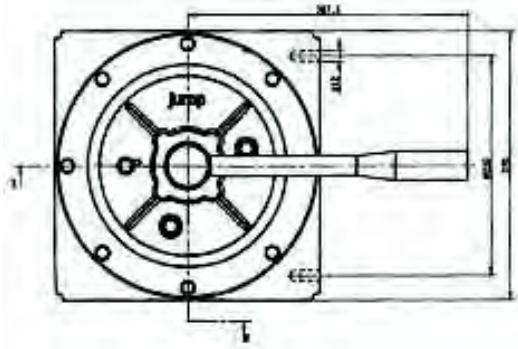
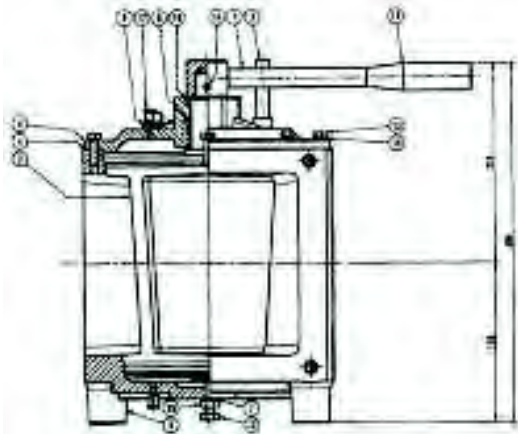


#	PART NUMBER	DESCRIPTION
1	1505000100	Handle
2	1608502700	Valve Cock
3	1610503000	4" NPT Flange
4	1622002300	Handle Pin
5	1623501000	Valve Cap
6	1627505700	Valve Body
7	1680609100	Flange Gasket
8	1680708100	Gasket
9	1585100100	Washer (10mm)
10	1691000200	Spring
11	4022100100	Grease Zert
12	4022200030	Seal Ring (41 x 27 x 10)
13	4023200014	1/2" Ball
14	4025505008	Handle Grip
15	4026102909	Bolt (10 x 35mm)
16	4026120405	Bolt (8 x 25mm)
17	4026120406	Bolt (8 x 30mm)
18	4026136005	Bolt (8 x 12mm)
19	4026308006	Nut (10mm)
20	4026350909	Washer (8mm)
21	4029602700	Cap Cover

6" JUROP 4-WAY VALVE

#	PART NUMBER	DESCRIPTION
1	1505000100	Handle
2	1608502400	Valve Cock
3	1610503100	6" NPT Flange
4	1622002300	Handle Pin
5	1623500800	Valve Cap
6	1627504500	Valve Body
7	1680609600	Flange Gasket
8	1680708000	Gasket
9	1685100100	Washer (10mm)
10	1691000200	Spring
11	4022100100	Grease Zert
12	4022200030	Seal Ring (41 x 27 x 10)
13	4023200014	1/2" Ball
14	4025505008	Handle Grip
15	4026102909	Bolt (10 x 35mm)
16	4026120405	Bolt (8 x 25mm)
17	4026120609	Bolt (12 x 30mm)
18	4026136005	Bolt (8 x 12mm)
19	4026308006	Nut (10mm)
20	4026350909	Washer (8mm)
21	4026350911	Washer (12mm)
22	4029602700	Cap Cover





8" JUROP 4-WAY VALVE

#	PART NUMBER	DESCRIPTION
1	1505000100	Handle
2	1508500200	Valve Cock
3	1622002300	Handle Pin
4	1623500600	Valve Cap
5	1627502800	Valve Body
6	1591002500	Valve Gasket
7	1685100100	Washer (10mm)
8	1591002500	Spring
9	4022100100	Grease Zert
10	4022200009	Seal Ring (47 x 35 x 7)
11	4025505008	Handle Grip
12	4026102909	Bolt (10 x 35mm)
13	4026107111	Bolt (8 x 30mm)
14	4026136005	Bolt (8 x 12mm)
15	4026308006	Nut (10mm)
16	4026350606	Washer (8mm)
17	4029602700	Cap Cover

TECHNICAL DATA

The 4-way valves are designed to be installed in correspondence of the vacuum/pressure line of equipment typically used to clean sewer lines and cesspits. The 4-way valves allow reversing the vacuum pump air flow, thereby pressurising the vacuum tank. This way, the operations to the discharge the material from the tank are optimised.

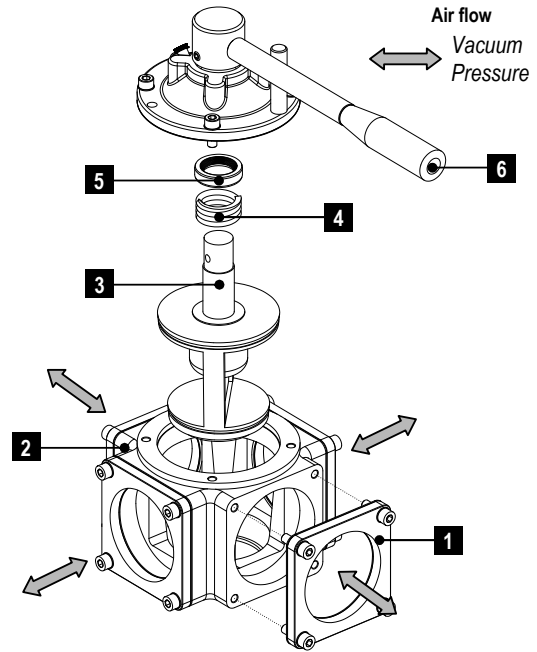
The 4-way valves can be **manual**, with manual actuation lever, or **pneumatic**, with pneumatic actuator. They are available with various diameters (2", 2½", 3", 4", 6" e 8"), each of which with cast iron deviator (typically suitable for vane decompressors) and bronze deviator (typically suitable for lobe decompressors).

The 4-way valves have different features, according to the diameter required. The 4-way valves can be divided into the following 8 categories:

- Manual 4-way valves with threaded manifold;
- 4-way valve with pneumatic actuator and threaded manifold;
- Manual 4-way valve without flanges;
- Manual 4-way valve with flanges;
- Manual 4-way valve with threaded flanges;
- 4-way valves with pneumatic actuator without flanges;
- 4-way valves with pneumatic actuator with flanges;
- 4-way valves with pneumatic actuator with threaded flanges.

The table in the following page shows in detail the available 4-type valves with respective identification code (in versions with cast iron and bronze inside valve).

The following figure shows a schematic diagram of a manual 4-way valve, highlighting the main components.



LEGEND

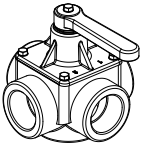
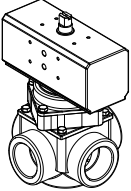
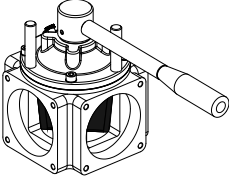
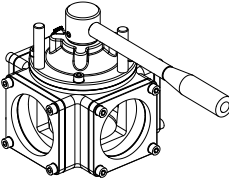
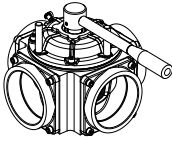
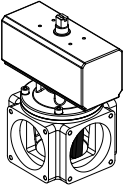
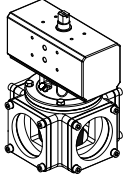
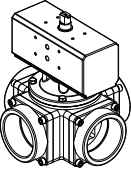
1	Flange	4	Spring
2	Valve body	5	Seal ring
3	Inside valve (Iron or bronze)	6	Actuation handle

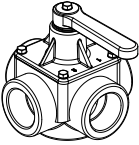
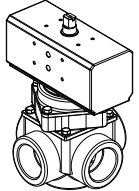
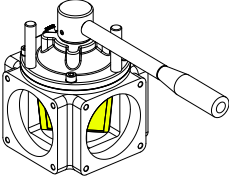
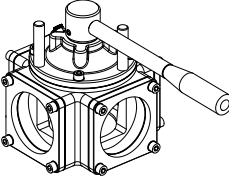
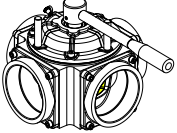
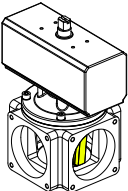
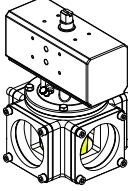
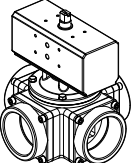
The following table shows the main operating parameters concerning maximum capacity and maximum pressure (relative) of the 4-way valves with respect to the available diameters.

OPERATING PARAMETERS

Parameter	2"	2" ½	3"	4"	6"	8"
DESIGN PRESSURE (RELATIVE)	-1 / +4 bar	-1 / +4 bar	-1 / +4 bar	-1 / +4 bar	-1 / +4 bar	-1 / +4 bar
MAX PNEUMATIC PRESSURE	8 bar	8 bar	8 bar	8 bar	8 bar	8 bar

Note: the indicated maximum supply pneumatic pressure refers to 4-way valves equipped with pneumatic actuator.

Diameter		2"	2" 1/2	3"	4"	6"	8"
MANUAL 4-WAY VALVE WITH THREADED MANIFOLD (IRON)							
	thread	14881 000 00 (IRON)	14881 001 00 (IRON)				
	GAS	14881 064 00 (IRON)	14881 066 00 (IRON)				
4-WAY VALVE WITH PNEUMATIC ACTUATOR AND THREADED MANIFOLD (IRON)							
	thread	14881 BER B0 (IRON)	14881 034 00 (IRON)				
	GAS	14881 065 00 (IRON)	14881 067 00 (IRON)				
MANUAL 4-WAY VALVE WITHOUT FLANGES (IRON)							
				14881 062 00 (IRON)	14881 028 00 (IRON)	14881 021 00 (IRON)	14881 005 00 (IRON)
MANUAL 4-WAY VALVE WITH FLANGES (IRON)							
				14881 011 00 (IRON)	14881 030 00 (IRON)	14881 023 00 (IRON)	14881 015 00 (IRON)
MANUAL 4-WAY VALVE WITH THREADED FLANGES (IRON)							
	thread			14881 002 00 (IRON)	14881 032 00 (IRON)	14881 025 00 (IRON)	
	GAS			14881 068 00 (IRON)	14881 070 00 (IRON)	14881 072 00 (IRON)	
4-WAY VALVES WITH PNEUMATIC ACTUATOR WITHOUT FLANGES (IRON)							
				14881 DAR B0 (IRON)	14881 029 00 (IRON)	14881 022 00 (IRON)	14881 BWP B0 (IRON)
4-WAY VALVES WITH PNEUMATIC ACTUATOR WITH FLANGES (IRON)							
				14881 BNQ B0 (IRON)	14881 031 00 (IRON)	14881 024 00 (IRON)	14881 BXB B0 (IRON)
4-WAY VALVES WITH PNEUMATIC ACTUATOR WITH FLANGES (IRON)							
	thread			14881 BRP B0 (IRON)	14881 033 00 (IRON)	14881 026 00 (IRON)	
	GAS			14881 069 00 (IRON)	14881 071 00 (IRON)	14881 073 00 (IRON)	

Diametro	2"	2" 1/2	3"	4"	6"	8"
MANUAL 4-WAY VALVE WITH THREADED MANIFOLD (BRONZE)						
	NPT thread	14881 036 00 (BRONZE)	14881 037 00 (BRONZE)			
4-WAY VALVE WITH PNEUMATIC ACTUATOR AND THREADED MANIFOLD (BRONZE)						
	NPT thread	14881 038 00 (BRONZE)	14881 039 00 (BRONZE)			
MANUAL 4-WAY VALVE WITHOUT FLANGES (BRONZE)						
			14881 040 00 (BRONZE)	14881 044 00 (BRONZE)	14881 048 00 (BRONZE)	14881 052 00 (BRONZE)
MANUAL 4-WAY VALVE WITH FLANGES (BRONZE)						
			14881 041 00 (BRONZE)	14881 045 00 (BRONZE)	14881 049 00 (BRONZE)	14881 053 00 (BRONZE)
MANUAL 4-WAY VALVE WITH THREADED FLANGES (BRONZE)						
	NPT thread GAS		14881 056 00 (BRONZE)	14881 058 00 (BRONZE)	14881 060 00 (BRONZE)	
			(SPECIFY NPT O GAS)	14881 074 00 (BRONZE)	14881 076 00 (BRONZE)	
4-WAY VALVES WITH PNEUMATIC ACTUATOR WITHOUT FLANGES (BRONZE)						
			14881 042 00 (BRONZE)	14881 046 00 (BRONZE)	14881 050 00 (BRONZE)	14881 054 00 (BRONZE)
4-WAY VALVES WITH PNEUMATIC ACTUATOR WITH FLANGES (BRONZE)						
			14881 043 00 (BRONZE)	14881 047 00 (BRONZE)	14881 051 00 (BRONZE)	14881 055 00 (BRONZE)
4-WAY VALVES WITH PNEUMATIC ACTUATOR WITH THREADED FLANGES (BRONZE)						
	NPT thread GAS		14881 057 00 (BRONZE)	14881 059 00 (BRONZE)	14881 061 00 (BRONZE)	
			(SPECIFICARE NPT O GAS)	14881 075 00 (BRONZE)	14881 077 00 (BRONZE)	